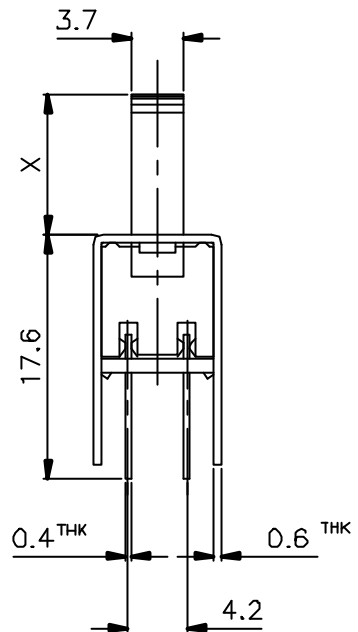
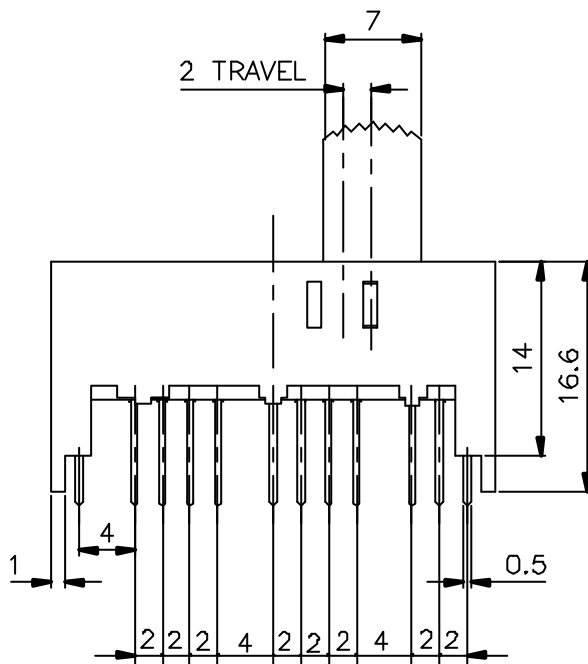
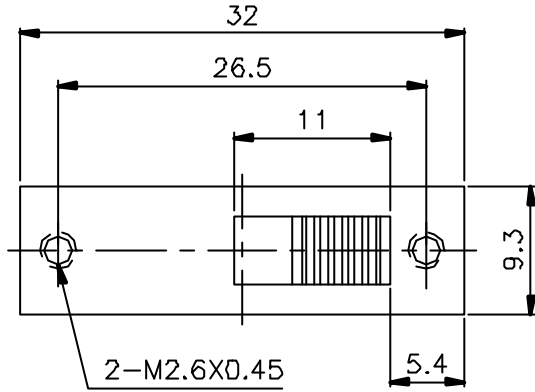



SCHEMATIC



X=

ISSUED	SPECIFICATION (INITIAL)	TITLE: SLIDE SWITCH 6P3T		
BY: DATE:	RATING: DC 50V 0.5A	MODEL NO: SS-63D03-G		
	CONTACT RESISTANCE: Not more than 30mΩ	UNIT: m m	DWN	
	INSULATION RESISTANCE: 500MΩ at 500V DC	SCALE: 2 : 1	CHK'D	
	WITHSTAND VOLTAGE: AC 500V for 1 min	TOLERANCE: ±0.2	APPD.	
	OPERATION FORCE: 450±200g	DRWG NO: B 800329		
	SWITCHING LIFE: 10000cycles(6-10c/m loading)	GUANG DONG KE SI DA ELECTRONIC TECHNOLOGY CO., LTD.		
 <b>广东科斯达电子科技有限公司</b> GUANG DONG KE SI DA ELECTRONIC TECHNOLOGY CO., LTD.				