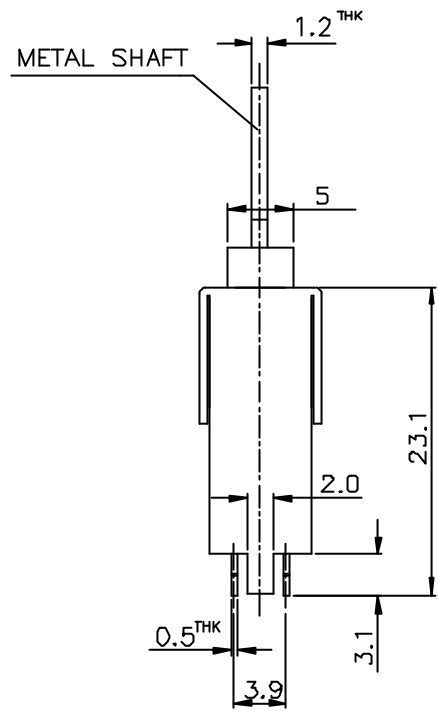
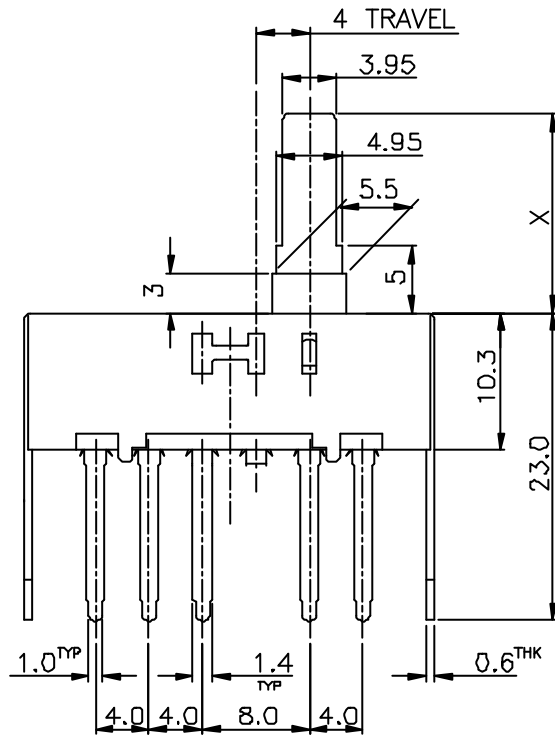
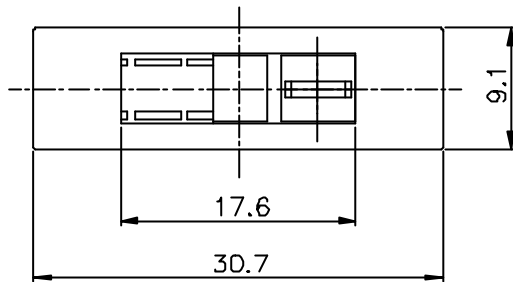



SCHMATIC



X=

ISSUED	SPECIFICATION (INITIAL)	TITLE: SLIDE SWITCH 2P4T			
	RATING: DC 50V 0.5A	MODEL NO: SS-24H06-M			
	CONTACT RESISTANCE: Not more than 30mΩ	UNIT: m m	DWN	XZK	15 09.09
	INSULATION RESISTANCE: 500MΩ at 500V DC	SCALE: 2 : 1			
	WITHSTAND VOLTAGE AC 500V for 1 min	CHK'D			
	OPERATION FORCE: 400±250g	TOLERANCE: ±0.2			
	SWITCHING LIFE: 10000 Cycles(6-10c/m loading)	APPD.			
BY:	 广东科斯达电子科技有限公司 GUANG DONG KE SI DA ELECTRONIC TECHNOLOGY CO., LTD.	DRWG NO:		REV:	
DATE:		A90463-00		A	