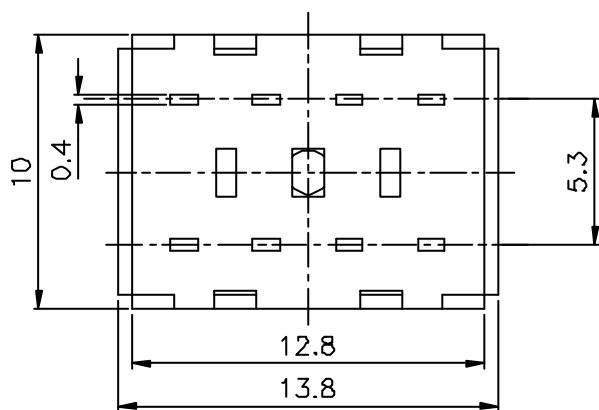
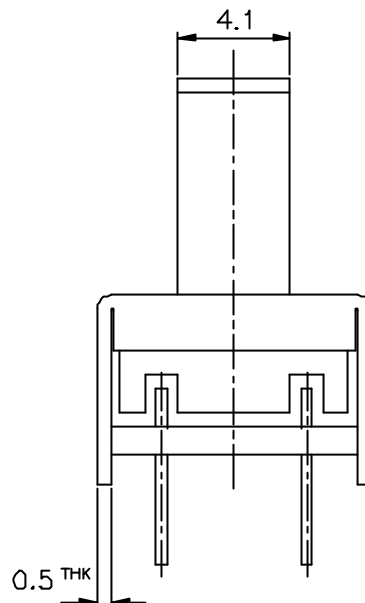
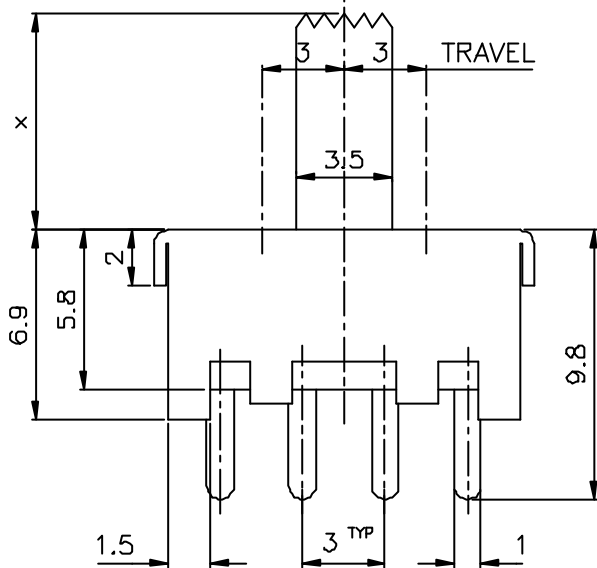



SCHEMATIC



X =

ISSUED	SPECIFICATION	TITLE: SLIDE SWITCH 2P3T		
	RATING: DC 50V 0.5A	MODEL NO: SS-23F32-G(A)		
	CONTACT RESISTANCE: MAX. 30mΩ (INITIAL)	UNIT: m m	DWN	
	INSULATION RESISANCE: 500MΩ AT 500V DC	SCALE: 4 : 1	CHK'D	
	WITHSTAND VOLTAGE AC 500V FOR 1 MIN	TOLERANCE: ±0.20	APPD.	
	OPERATION FORCE: 350±200g			
	SWITCHING LIFE: 10000 times (15-18c/m unloading)			
BY:	 广东科斯达电子科技有限公司 GUANG DONG KE SI DA ELECTRONIC TECHNOLOGY CO., LTD.	DRWG NO:		
DATE:		940445		