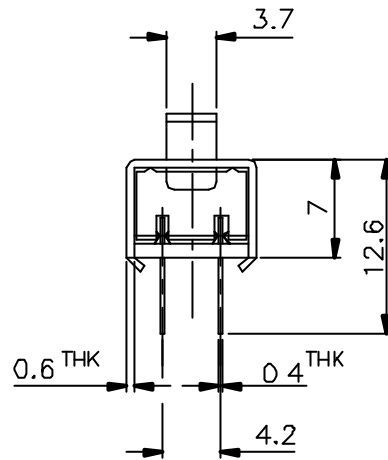
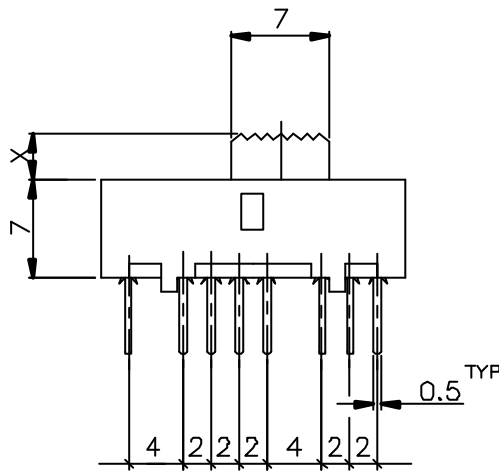
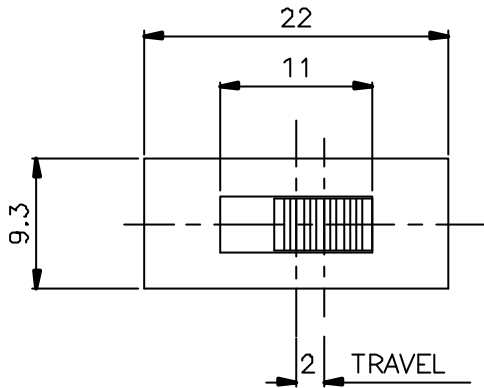



SCHMATIC



X =

ISSUED	SPECIFICATION (INITIAL)	TITLE: SLIDE SWITCH 4P3T		
	RATING: DC 50V 0.5A	MODEL NO: SS-43D11-G(a)		
	CONTACT RESISTANCE: MAX. 30mΩ	UNIT: m m	DWN	
	INSULATION RESISTANCE: 500MΩ AT 500V DC	SCALE: 2 : 1	CHK'D	
	WITHSTAND VOLTAGE: AC 500V FOR 1 MIN	TOLERANCE: ±0.2	APPD.	
	OPERATION FORCE: 450±250g			
	SWITCHING LIFE: 10000 Cycles (6-10c/m loading)			
BY:	 <b>广东科斯达电子科技有限公司</b> GUANG DONG KE SI DA ELECTRONIC TECHNOLOGY CO., LTD.	DRWG NO:		
DATE:		900220-00		