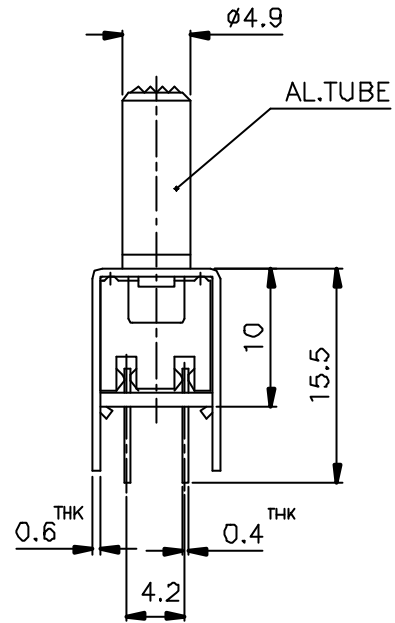
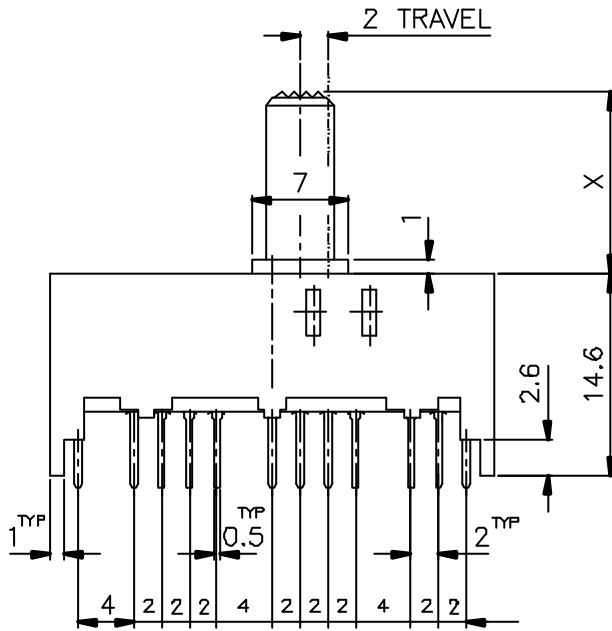
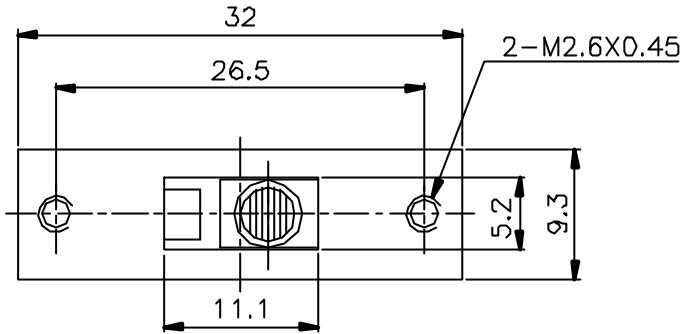


SCHEMATIC



X =

ISSUED	SPECIFICATION (INITIAL)	TITLE: SLIDE SWITCH 6P2T		
	RATING: DC 50V 0.5A	MODEL NO: SS-63D02-T		
	CONTACT RESISTANCE: Not more than 30mΩ	UNIT: mm	DWN	
	INSULATION RESISTANCE: 500MΩ at 500V DC	SCALE: 2 : 1	CHK'D	
	WITHSTAND VOLTAGE: AC 500V for 1 min	TOLERANCE: ±0.20	APPD.	
	OPERATION FORCE: 450±250g	DRWG NO: B800882-00		
	SWITCHING LIFE: 10000 Cycles (6-10c/m loading)	PROMOTIVE INDUSTRIAL CO., LTD. HONG KONG		
BY:				
DATE:				