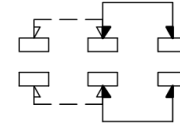
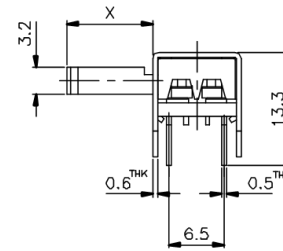
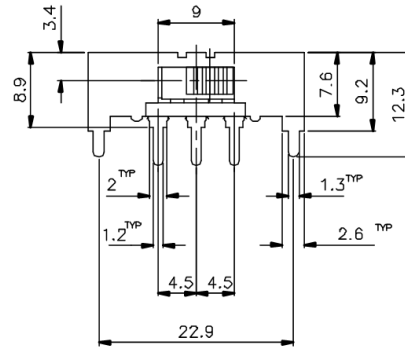
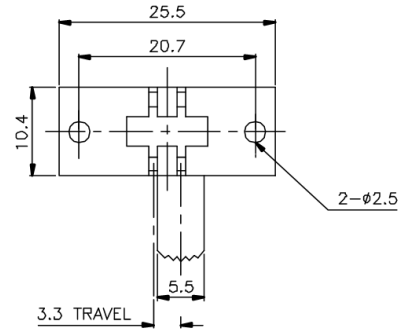



KSD



SCHEMATIC



x=

| | | |
|--------|---|--------------------------|
| ISSUED | SPECIFICATION (INITIAL) | TITLE: SLIDE SWITCH 2P2T |
| | RATING: DC 125V 0.5A AC 125V 0.5A | MODEL NO: SK-22G03-G |
| | CONTACT RESISTANCE: Not more than 30mΩ | UNIT: m m DWN |
| | INSULATION RESISTANCE: 500mΩ at 500V DC | SCALE: 2 : 1 CHK'D |
| | WITHSTAND VOLTAGE: AC 500V for 1 min | TOLERANCE: ±0.2 APPD. |
| | OPERATION FORCE: 250±150g | |
| | SWITCHING LIFE: 10000cycles(6-10c/m loading) | |
| BY: |  广东科斯达电子科技有限公司 GUANG DONG KE SI DA ELECTRONIC TECHNOLOGY CO., LTD. | DRWG NO: |
| DATE: | | 900072-00 |