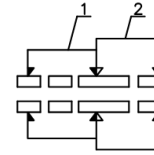
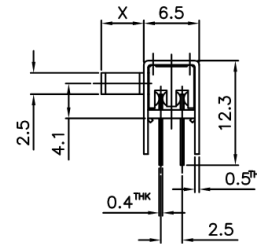
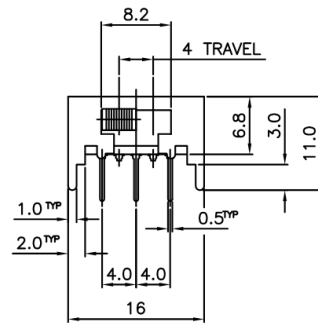
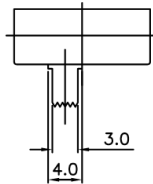



KSD



NON-SHORTING
SCHEMATIC



X=

ISSUED	SPECIFICATION (INITIAL)	TITLE: SIDE KNOB SLIDE SWITCH 2P2T			
	RATING: DC 50V 0.5A	MODEL NO: SK-22H05-G(A)			
	CONTACT RESISTANCE: Not more than 30mΩ	UNIT:	m	m	DWN
	INSULATION RESISTANCE: 500MΩ at 500V DC	CHEN			24.10.2000
	WITHSTAND VOLTAGE: AC 500V for 1 min	SCALE: 2 : 1	CHK'D		
	OPERATION FORCE: 400±250g	TOLERANCE: ±0.2	APPD.		
	SWITCHING LIFE: 10000 Cycles(6-10c/m loading)				
BY:	 广东科斯达电子科技有限公司 GUANG DONG KE SI DA ELECTRONIC TECHNOLOGY CO., LTD.	DRWG NO:		A00405-00	
DATE:					