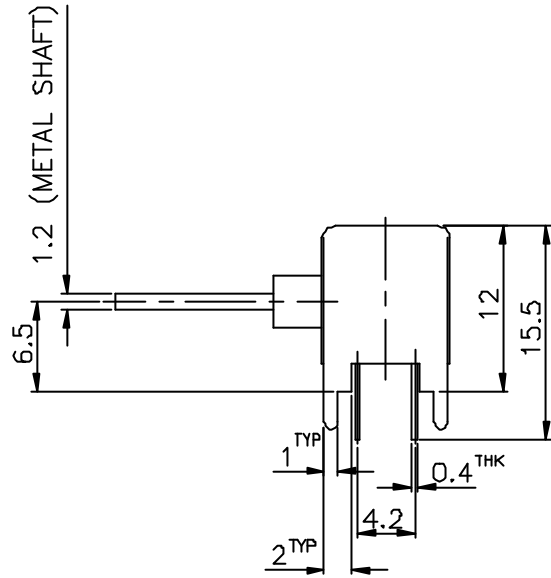
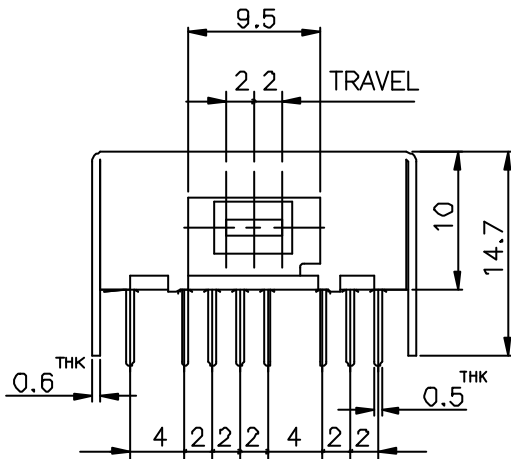
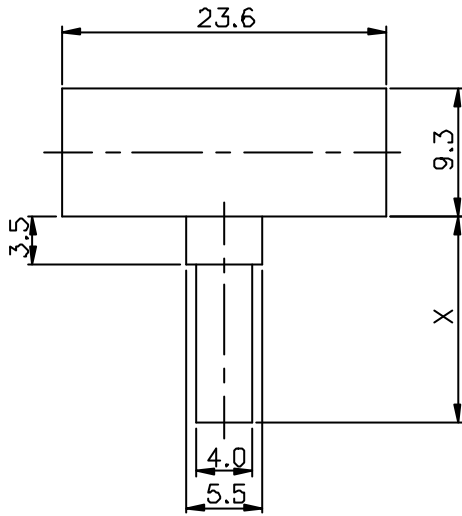



SCHEMATIC



X=

| | | | | | |
|--------|---|------------------------------------|-------|-------|--------|
| ISSUED | SPECIFICATION (INITIAL) | TITLE: SIDE KNOB SLIDE SWITCH 4P3T | | | |
| | RATING: DC 50V 0.3A | MODEL NO: SK-43D01-M | | | |
| | CONTACT RESISTANCE: Not more than 30mΩ | UNIT: mm | DWN | TSANG | 6-9-84 |
| | INSULATION RESISTANCE: 500MΩ at 500V DC | SCALE: 2 : 1 | CHK'D | | |
| | WITHSTAND VOLTAGE: AC 500V for 1 min | TOLERANCE: ±0.20 | APPD. | | |
| | OPERATION FORCE: 400±250g | | | | |
| | SWITCHING LIFE: 10000 Cycles (15-18c/m unloading) | | | | |
| BY: |  广东科斯达电子科技有限公司 GUANG DONG KE SI DA ELECTRONIC TECHNOLOGY CO., LTD. | DRWG NO: | | | |
| DATE: | | B 801174-00 | | | |