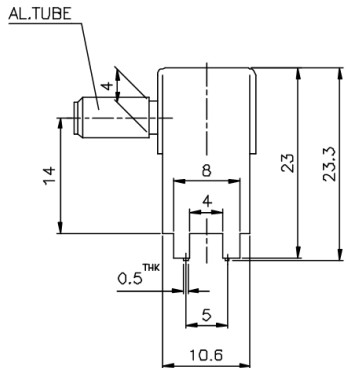
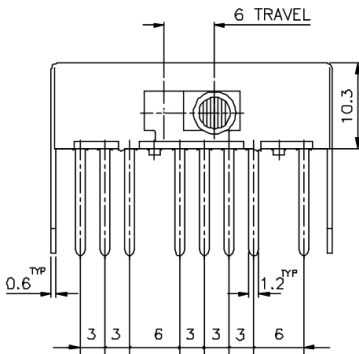
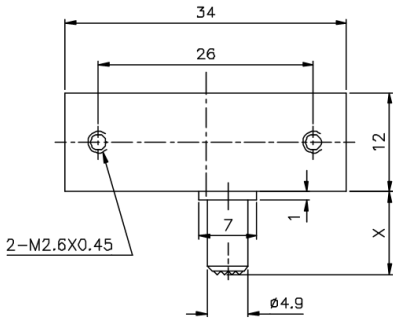



SCHEMATIC



X=

ISSUED	SPECIFICATION (INITIAL)	TITLE: SIDE KNOB SLIDE SWITCH 4P2T			
	RATING: DC 50V 0.3A	MODEL NO: SK-42L01-T			
	CONTACT RESISTANCE: Not more than 30mΩ	UNIT: mm	DWN	XU	23/4/97
	INSULATION RESISTANCE: 500MΩ at 500V DC	SCALE: 2 : 1	CHK'D		
	WITHSTAND VOLTAGE: AC 500V for 1 min	TOLERANCE: ±0.20	APPD.		
	OPERATION FORCE: 450±200g				
	SWITCHING LIFE: 10000 Cycles (15-18c/m unloading)				
BY:	 广东科斯达电子科技有限公司 GUANG DONG KE SI DA ELECTRONIC TECHNOLOGY CO., LTD.	DRWG NO:			
DATE					