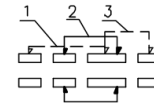
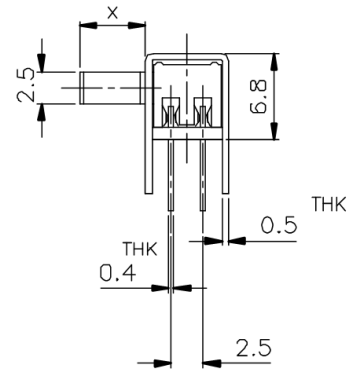
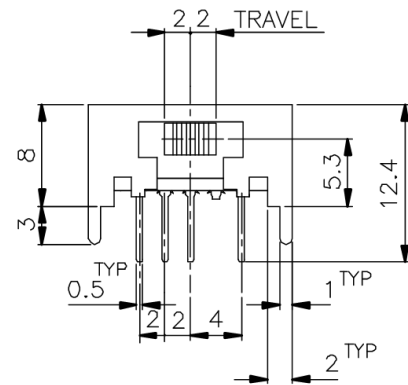
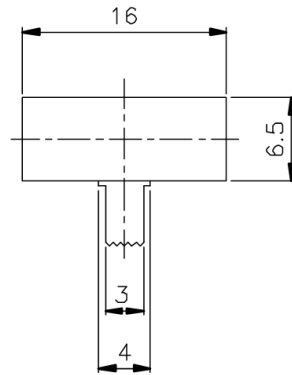



KSD



SCHEMATIC



x=

ISSUED	SPECIFICATION (INITIAL)	TITLE:	SLIDE SWITCH 2P3T
	RATING: DC 50V 0.5A	MODEL NO:	SK-23D09-G(A)
	CONTACT RESISTANCE: Not more than 30mΩ	UNIT: m m	DWN
	INSULATION RESISTANCE: 500M Ω at 500V DC	SCALE: 3 : 1	CHK'D
	WITHSTAND VOLTAGE: AC 500V for 1 min	TOLERANCE: ±0.2	APPD.
	OPERATION FORCE: 400 ± 250g		
	SWITCHING LIFE: 10K Cycles(6-10c/m loading)		
BY:	 广东科斯达电子科技有限公司 GUANG DONG KE SI DA ELECTRONIC TECHNOLOGY CO., LTD.	DRWG NO:	900031-01
DATE:			