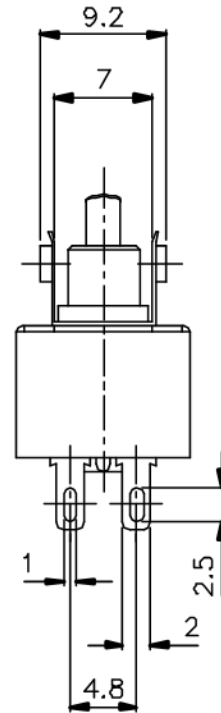
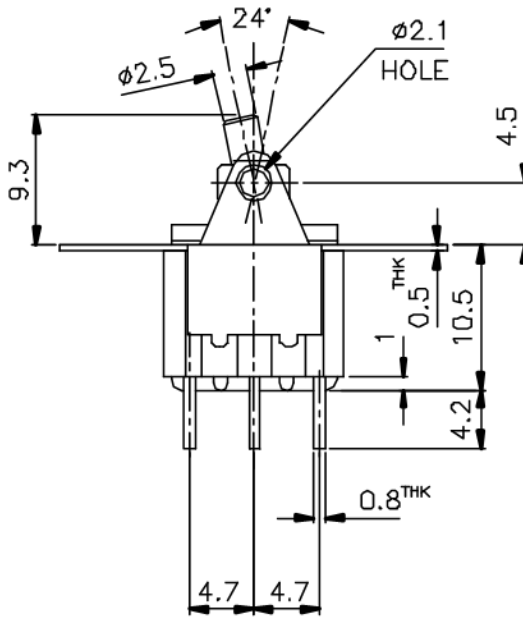
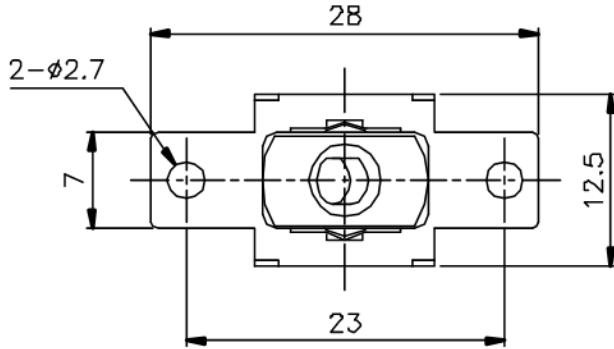



SCHEMATIC



| | | | | |
|--------|---|---------------------------|-------|--|
| ISSUED | SPECIFICATION (INITIAL) | TITLE: ROCKER SWITCH 2P2T | | |
| | RATING: AC 125V 3A | MODEL NO: WX-97 | | |
| | CONTACT RESISTANCE: Not more than 30mΩ | UNIT: m m | DWN | |
| | INSULATION RESISTANCE: 500M Ω at 500V DC | SCALE: 2 : 1 | CHK'D | |
| | WITHSTAND VOLTAGE: AC 1000V for 1 MIN | TOLERANCE: ±0.2 | APPD. | |
| | OPERATION FORCE: 700±300g | | | |
| | SWITCHING LIFE: 10000 Cycles (6-10c/m unloading) | | | |
| BY: |  广东科斯达电子科技有限公司 GUANG DONG KE SI DA ELECTRONIC TECHNOLOGY CO., LTD. | DRWG NO: | | |
| DATE: | | 960487-00 | | |