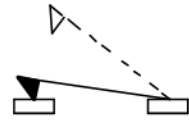
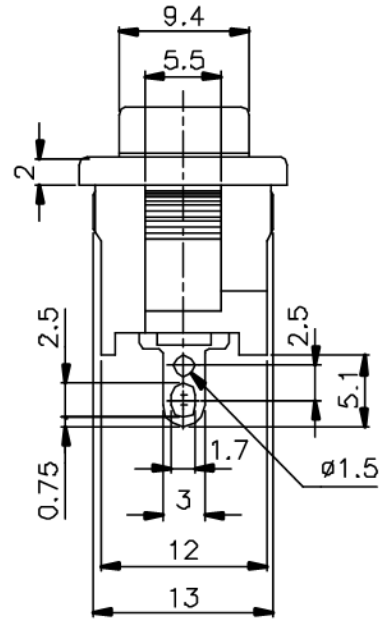
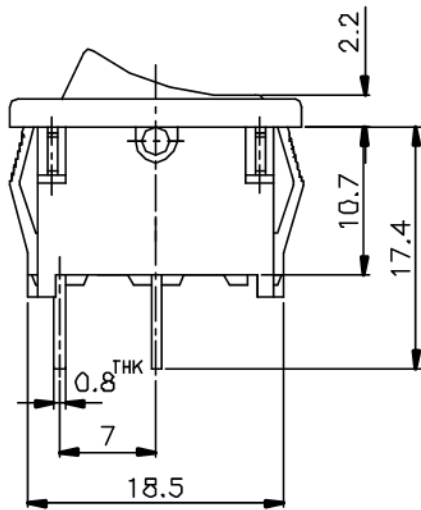
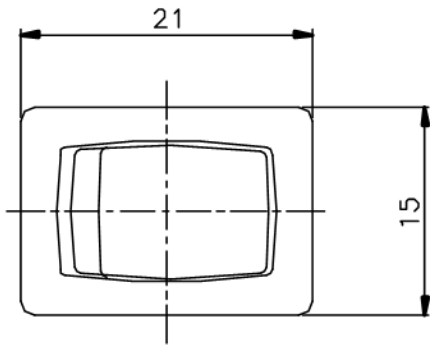


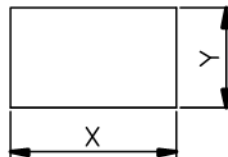
SPRING RETURN



NC
NON-SHORTING
SCHEMATIC




Panel Cut-out Dimensions



Rating : UL: U11  11A 125VAC
5.5A 250VAC

VDE: U11E4    4A 250V~

Panel Thickness (mm/inch)	DIM X ^{+0.1} (mm/inch)	DIM Y ^{+0.1} (mm/inch)
0.5~1.2 (.02~.047)	19.4 (.764)	13.1 (.518)
1.2~2.0 (.047~.08)	19.7 (.775)	
2.0~3.0 (.08~.118)	20.0 (.787)	

ISSUED	SPECIFICATION (INITIAL)	TITLE: ROCKER SWITCH 1P1T
	RATING: AC 125V 11A ; AC 250V 5.5A	MODEL NO: U11WR-11N08-R1(00)-00
	CONTACT RESISTANCE: MAX. 30mΩ	UNIT: mm DWN
	INSULATION RESISTANCE: 500MΩ at 500V DC	SCALE: 2 : 1 CHK'D
	WITHSTAND VOLTAGE: AC 1000V for 1 min	TOLERANCE: ±0.2 APPD.
	OPERATION FORCE: 600±300g	
	SWITCHING LIFE: 10,000 Cycles(6-10c/m loading)	
BY:	 广东科斯达电子科技有限公司 GUANG DONG KE SI DA ELECTRONIC TECHNOLOGY CO., LTD.	DRWG NO:
DATE:		980525-02