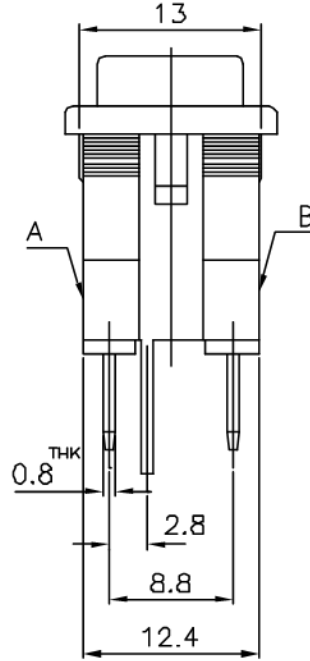
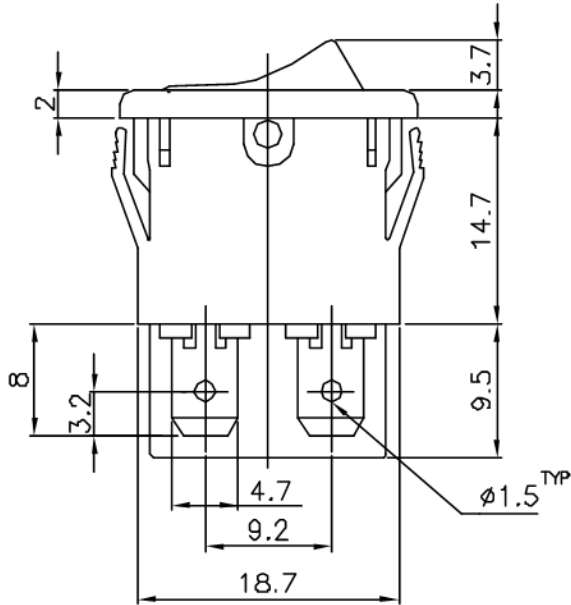


NON-SHORTING
SCHEMATIC



Rating :

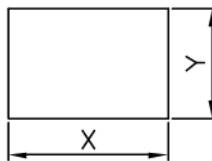
SIDE A : **KSD** **RV** **US**

U16WR T85
AC125V 16A (RES)
12A (IND)

Panel Cut-Out Dimensions

SIDE B : **A2** **A1**

6(4)A 5E4
10(6)A
250V~



Panel thickness (mm/inch)	DIM X ^{+0.1} ₀ (mm/inch)	DIM Y ^{±0.1} (mm/inch)
1.2~1.6 (.047~.063)	19.0 (0.748)	13.1 (.516)
1.6~2.0 (.063~.079)	19.4 (0.764)	
2.0~2.4 (.079~.095)	19.8 (0.779)	

Remark: Tab Terminal Not For Soldering
Knob Colour Is Red

ISSUED	SPECIFICATION (INITIAL)	TITLE: ROCKER SWITCH 2P2T			
	RATING: AC 125V 16A	MODEL NO: U16WR-22Q03-R1(00)R-00			
	CONTACT RESISTANCE: Not more than 30mΩ	UNIT: mm	DWN	LIU	1/8-06
	INSULATION RESISTANCE: 500MΩ at 500V DC	SCALE: 2 : 1	CHK'D		
	WITHSTAND VOLTAGE: AC 1000V for 1 min	TOLERANCE: ±0.2	APPD.		
	OPERATION FORCE: 1000±300g				
	SWITCHING LIFE: 10000 Cycles(6-10c/m loading)				
BY:	广东科斯达电子科技有限公司 GUANG DONG KE SI DA ELECTRONIC TECHNOLOGY CO., LTD.	DRWG NO:			
DATE:		A60513-00			