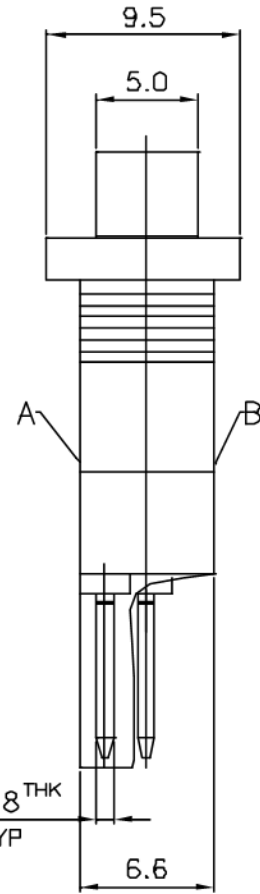
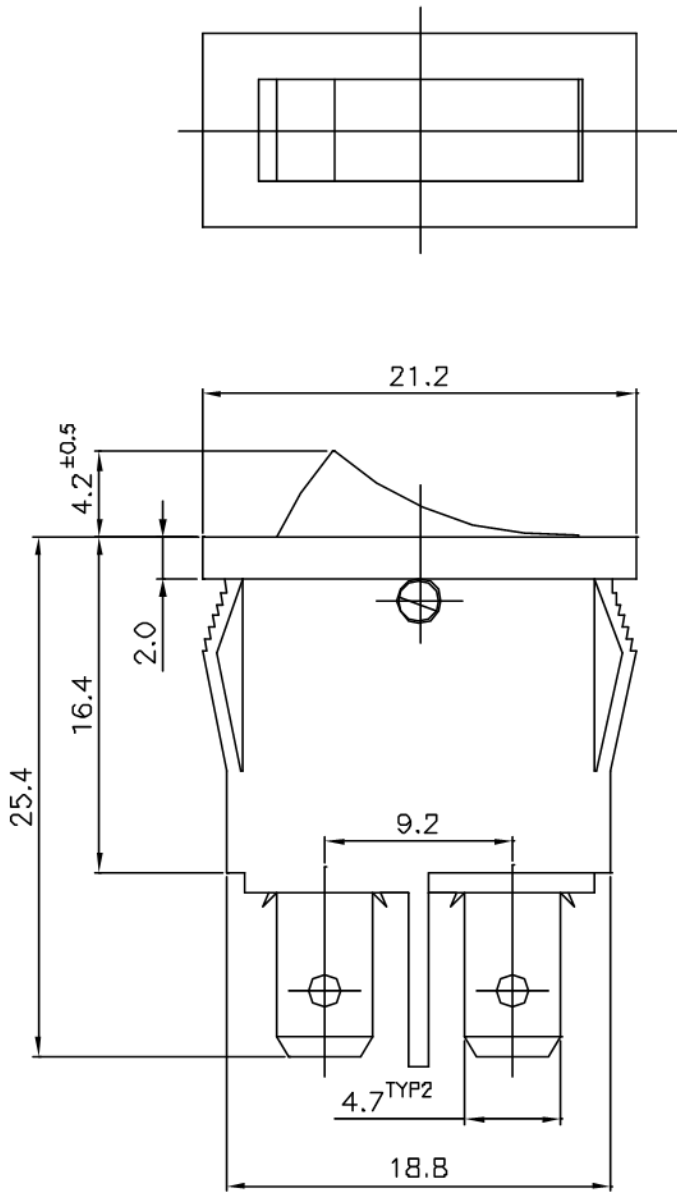
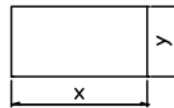




NON-SHORTING  
SCHEMATIC



Panel cut-out dimensions




Rating :

SIDE B :  **KSD**

U11WR-11  
11A 125VAC  
5.5A 250VAC

Panel thickness (mm/inch)	DIM X <sup>+0.1</sup> <sub>0</sub> (mm/inch)	DIM Y <sup>+0.1</sup> <sub>0</sub> (mm/inch)
2.0~2.2 (.078~.087)	19.4 (0.764)	6.7 (.264)
2.2~2.5 (.087~.098)	19.8 (0.779)	

ISSUED	SPECIFICATION	TITLE: ROCKER SWITCH 1P1T			
	RATING: AC 125V 11A ; AC 250V 5.5A	MODEL NO: U11WR-11Q03-R1(00)-00			
	CONTACT RESISTANCE: Not more than 30m?	UNIT: m m	DWN	B.F.ZH	1.03.04
	INSULATION RESISTANCE: 500M? at 500V DC	SCALE: 3 : 1	CHK'D		
	WITHSTAND VOLTAGE: AC 1000V for 1 min	TOLERANCE: ±0.2	APPD.		
	OPERATION FORCE: 900±200g				
	SWITCHING LIFE: 10000cycles(6~10c/m loading)				
BY:	 <b>广东科斯达电子科技有限公司</b> GUANG DONG KE SI DA ELECTRONIC TECHNOLOGY CO., LTD.	DRWG NO:			
DATE:		A20531-00			