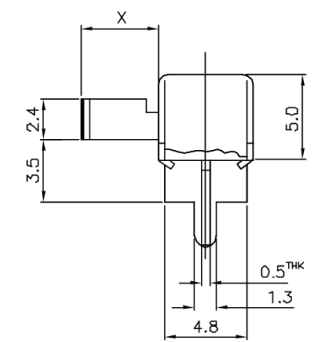
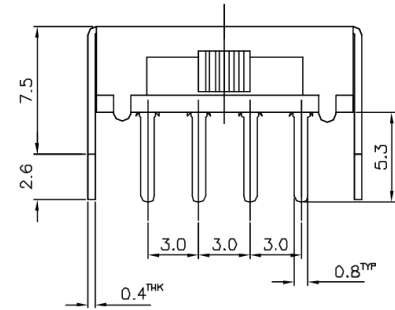
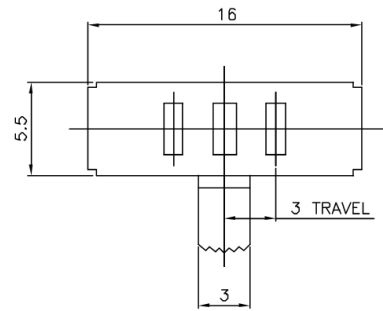
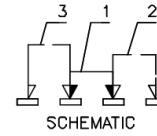


# KSD



X=

ISSUED	SPECIFICATION (INITIAL)	TITLE: SLIDE SWITCH 1P3T
	RATING: DC 50V 0.5A	MODEL NO: SK-13F04-G
	CONTACT RESISTANCE: not more than 30mΩ	UNIT: m m DOWN Q F L 18.05.06
	INSULATION RESISTANCE: 500MΩ at 500V DC	SCALE: 4 : 1 CHK'D
	WITHSTAND VOLTAGE: AC 500V for 1 MIN	TOLERANCE: ±0.2 APPD.
	OPERATION FORCE: 250±150g	
	SWITCHING LIFE: 10000 cycles(6-10c/m loading)	
BY:	<b>广东科斯达电子科技有限公司</b> GUANG DONG KE SI DA ELECTRONIC TECHNOLOGY CO., LTD.	DRWG NO:
DATE:		960112-04