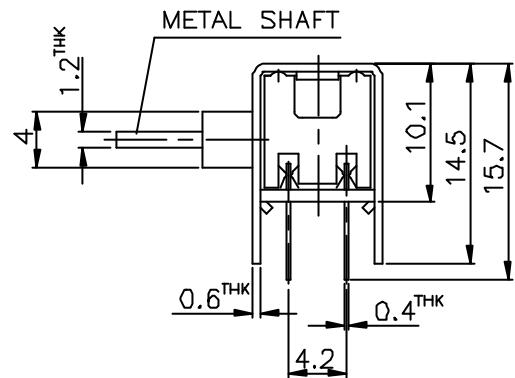
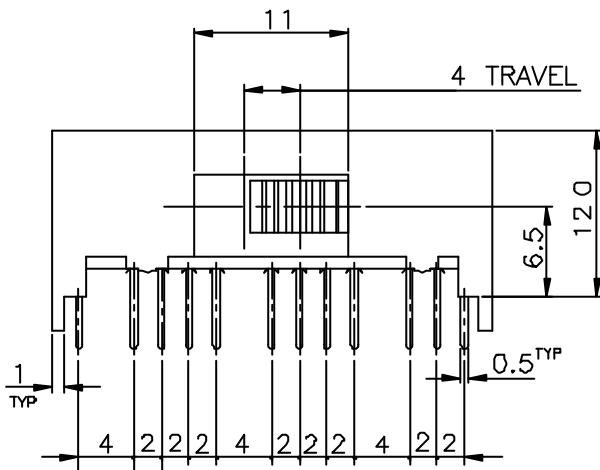
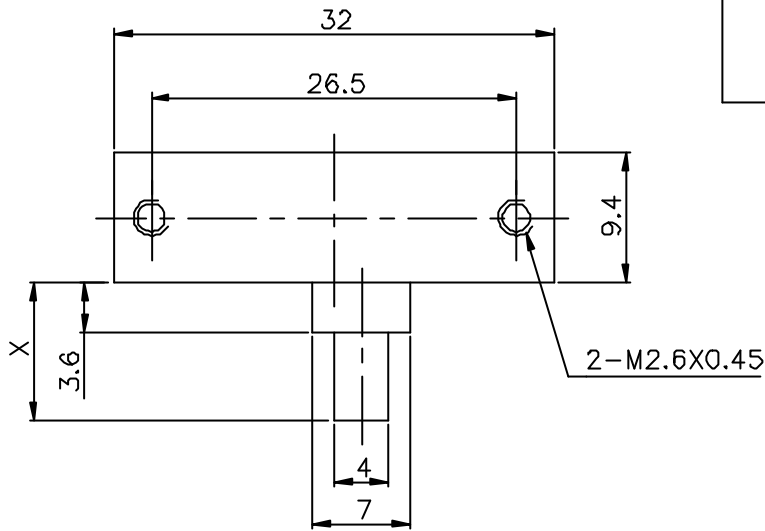



SCHEMATIC



X=

ISSUED	SPECIFICATION (INITIAL)	TITLE: SIDE KNOB SLIDE SWITCH 6P2T			
	RATING: DC 50V 0.5A	MODEL NO: SK-62H01-M			
	CONTACT RESISTANCE: MAX. 30mΩ	UNIT: m m	DWN	LIU	16.10.09
	INSULATION RESISTANCE: 500MΩ AT 500V DC	SCALE: 2 : 1	CHK'D		
	WITHSTAND VOLTAGE: AC 500V FOR 1 MIN	TOLERANCE: ±0.2	APPD.		
	OPERATION FORCE: 300 ± 150 g				
	SWITCHING LIFE: 10000 Cycles(6-10c/m loading)				
BY:	 广东科斯达电子科技有限公司 GUANG DONG KE SI DA ELECTRONIC TECHNOLOGY CO., LTD.	DRWG NO:		REV:	
DATE:		A90548-00		A	