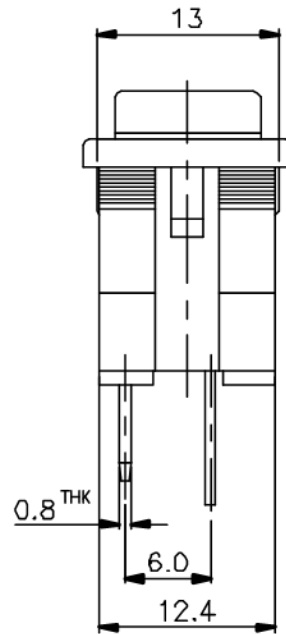
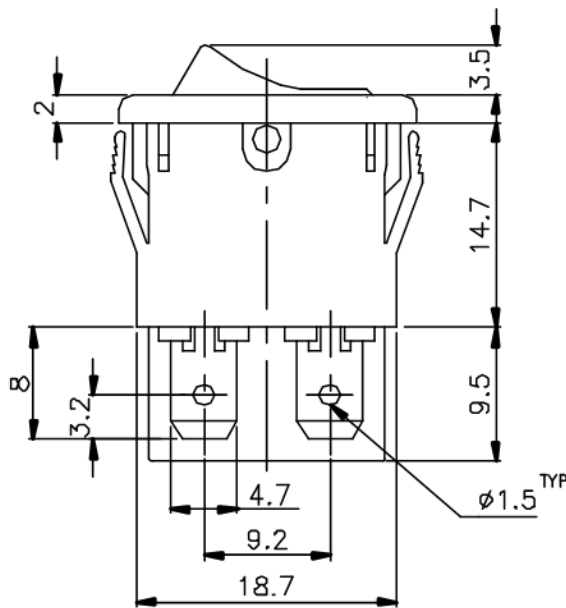
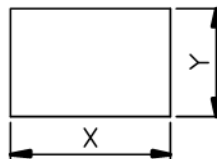


NON-SHORTING
SCHEMATIC



Panel Cut-Out Dimensions



Rating :

UL: U16WR T85 AC125V 16A (RES)
12A (IND)
VDE: 6(4)A 5E4 10(6)A 250V ~

Panel thickness (mm/inch)	DIM X ^{+0.1} ₀ (mm/inch)	DIM Y ^{±0.1} (mm/inch)
1.2~1.8 (.047~.071)	19.0 (0.748)	13.1 (.516)
1.8~2.4 (.071~.094)	19.4 (0.764)	
2.4~3.0 (.094~.118)	19.8 (0.779)	

ISSUED	SPECIFICATION (INITIAL)	TITLE: ROCKER SWITCH 1P1T		
	RATING: AC 125V 16A	MODEL NO: U16WR-11Q01-R1(00)		
	CONTACT RESISTANCE: Not more than 30mΩ	UNIT: mm	DWN	
	INSULATION RESISTANCE: 500MΩ at 500V DC	SCALE: 2 : 1	CHK'D	
	WITHSTAND VOLTAGE: AC 1000V for 1 min	TOLERANCE: ±0.2	APPD.	
	OPERATION FORCE: 600±250g			
	SWITCHING LIFE: 10000 Cycles(6-10c/m loading)			
BY:	广东科斯达电子科技有限公司 GUANG DONG KE SI DA ELECTRONIC TECHNOLOGY CO., LTD.	DRWG NO:		
DATE:		A00378-01		