

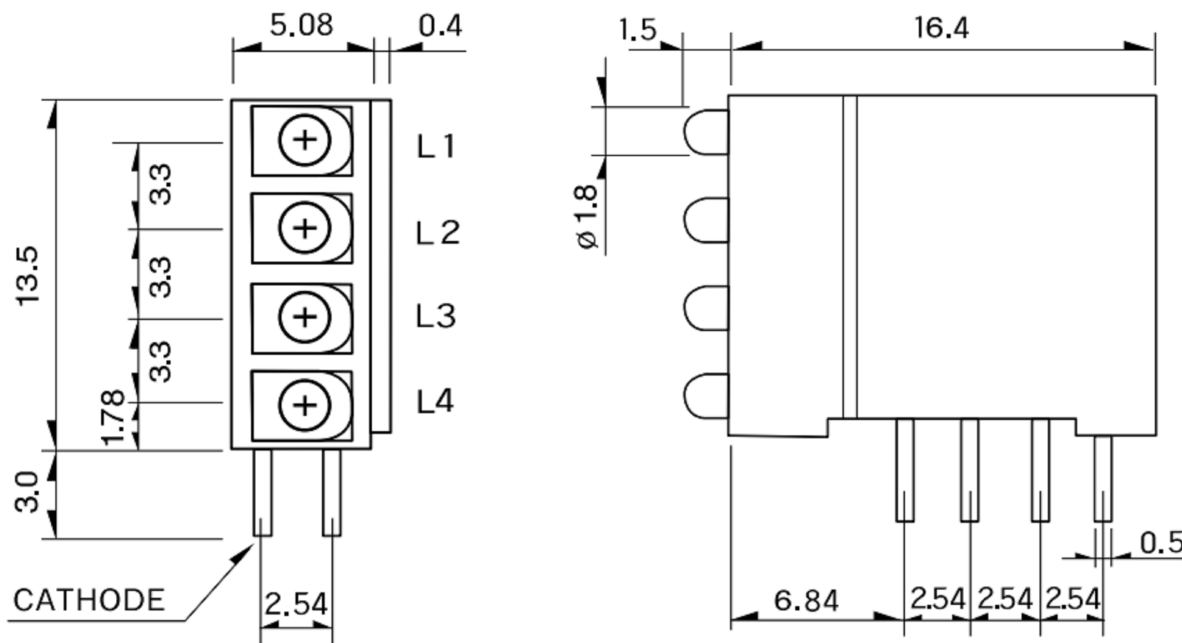
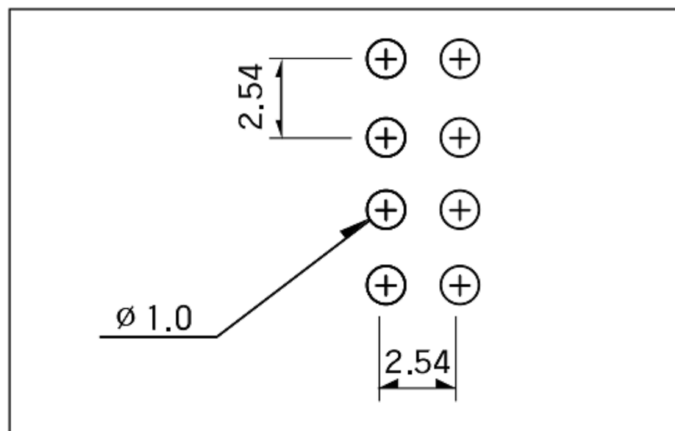


Number	0	1	2	3	4
Color	Blank	Red	Green	Yellow	Amber
LED Spec		BL-S5158D	BL-S2158D	BL-S3158D	BL-SA1158D

P.C.B DIMENSION

* Reverse Cathode Right : SGH-010- **X****X****X****X****G**

Base Color : Gray



Package	LED TYPE	Part No.	Chip	Emitted Color	Peak Wave Length (nm)	Lens Appearance	Absolute Maximum Ratings			Electro-optical Data(AI 20mA)		Viewing Angle (°)			
							ΔI (mA)	Pd (mW)	If (mA)	Peak Typ. (mcd)	W Typ. (mcd)				
High Efficiency	01	BL-B2141K	Green	568	Green Diffused	30	100	30	150	2.2	2.6	30.0	50		
		BL-B3141K	Yellow	585	Yellow Diffused	35	100	30	150	2.1	2.6	20.0	50		
		BL-BA1141K	Amber	610	Amber Diffused	35	100	30	150	2.0	2.6	60.0	50		
		BL-B5141K	Bright Red	700	Red Diffused	90	50	15	50	2.2	2.6	10.0	50		
		BL-BB41V1E	Super Blue	470	Blue Diffused	30	100	30	100	3.5	4.0	550	45		
		BL-B5141K-L	Hi-Eff Red	635	Red Diffused	45	15	7	-	1.7	2.2	4.5	50		
	Low Current	02	BL-B2141K-L	Green	568	Green Diffused	30	16	7	-	1.9	2.3	7.0	50	
			BL-B3141K-L	Yellow	585	Yellow Diffused	35	15	7	-	1.8	2.2	3.5	50	
			BR-B4541K-GSV	Hi-Eff Red	635	Red Diffused	-	-	8	-	5	-	15.5	-	
		03	BR-B2141K-GSV	Green	568	Green Diffused	-	-	8	-	5	-	15.5	-	
			BR-B3141K-GSV	Yellow	585	Yellow Diffused	-	-	8	-	5	-	14.0	-	
			BR-B4141K-GSV	Orange	635	Orange Diffused	-	-	8	-	5	-	15.5	-	
Bi-color	07	BL-BEX271E	Hi-Eff Red	635	White Diffused	45	100	30	150	2.0	2.6	25.0	45		
		Green	568	White Diffused	30	100	30	150	2.2	2.6	30.0	45			
		Yellow	585	White Diffused	35	100	30	150	2.1	2.6	20.0	45			
		Green	568	White Diffused	30	100	30	150	2.2	2.6	30.0	45			
1.0" Lead Flangeless 4.8 ϕ	01	BL-B5133N	Bright Red	700	Red Diffused	90	50	15	50	2.2	2.6	50.0	40		
		BL-B2133N	Green	568	Green Diffused	30	100	30	150	2.2	2.6	65.0	40		
		BL-B3133N	Yellow	585	Yellow Diffused	35	100	30	150	2.1	2.6	50.0	40		
		BL-B5134N	Bright Red	700	Red Diffused	90	50	15	50	2.2	2.6	13.0	45		
		BL-B2134N	Green	568	Green Diffused	30	100	30	150	2.2	2.6	90.0	45		
		BL-B3134N	Yellow	585	Yellow Diffused	35	100	30	150	2.1	2.6	70.0	45		
	01	BL-BB41FRN	Super Blue	470	Blue Diffused	30	100	30	100	3.5	4.0	550	45		
		07	BL-BEG274N	Green	568	White Diffused	45	100	30	150	2.0	2.6	45.0	45	
			Yellow	585	White Diffused	30	100	30	150	2.2	2.6	50.0	45		
			Green	568	White Diffused	35	100	30	150	2.1	2.6	35.0	45		
		T-1 3/4 1.0" Lead Flangeless 5 ϕ	07	BL-BEG274N	Green	568	White Diffused	45	100	30	150	2.0	2.6	35.0	40
				Yellow	585	White Diffused	30	100	30	150	2.2	2.6	45.0	40	
Green	568			White Diffused	35	100	30	150	2.1	2.6	30.0	40			
01	BL-BEG204		Hi-Eff Red	635	White Diffused	45	100	30	150	2.0	2.6	35.0	40		
	Green		568	White Diffused	30	100	30	150	2.2	2.6	45.0	40			
	Yellow		585	White Diffused	35	100	30	150	2.1	2.6	30.0	40			
2.0x5.0x7.0 1.0" Lead Rectangular		BL-BYG204	Green	568	White Diffused	30	100	30	150	2.2	2.6	45.0	40		
		BL-RVT302B-R	Hi-Eff Red	635	Water Clear	45	100	30	150	2.0	2.6	4.0	80		
Green	568	Water Clear	30	100	30	150	2.2	2.6	4.5	80					

广东科斯达电子科技有限公司
GUANG DONG KE SI DA ELECTRONIC TECHNOLOGY CO., LTD.

TOLERANCE UNLESS OTHERWISE STATED:
Up to 5 ± 0.2
Above 5 - 15 ± 0.3
Above 15 - 30 ± 0.4
Above 30 - 50 ± 0.5
Angle ± 0.3



UNITS MM

DRAWN BY: Jack Lu DATE: 12/27/22
CHECKED BY: Jacky Chen DATE: 12/27/22
APPROVED BY: Tony Kao DATE: 12/27/22

MAT'L	TITLE	SWITCH	SIZE
FINISH	MODLE	SWITCH	A4
SCALE	DWG NO.	SGH-010-XXXX	VER
SHEET NO.	PART NO.		R

ITEM NO.	DESCRIPTION	DRAWN	DATE