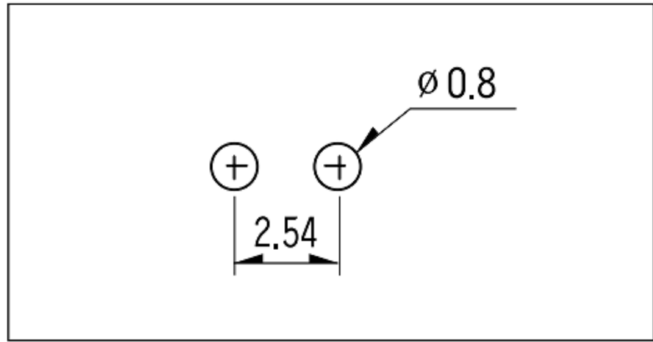


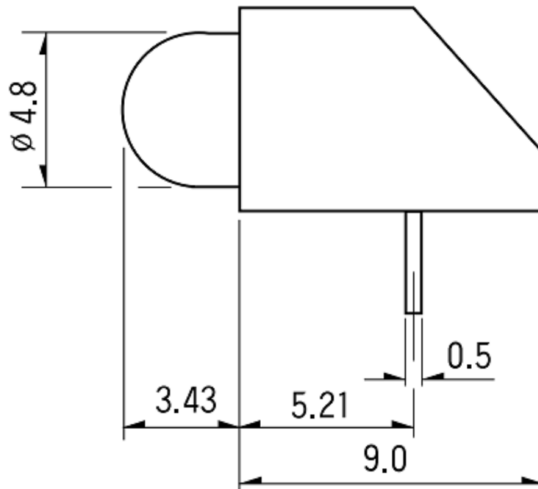
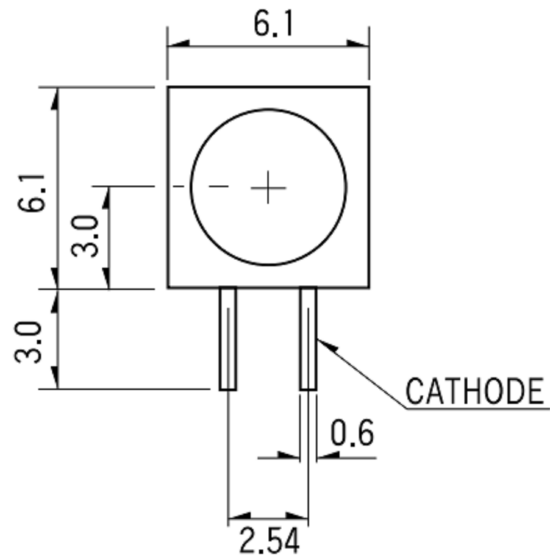
# P.C.B DIMENSION



MODEL	SEO-0206	SEO-0306	SEO-0406
LED Color	Green	Yellow	Red
LED Spec	BL-B2133N	BL-B3133N	BL-B5133N



**\* Reverse Cathode Left : SEO-0 X 06G**  
**Housing Color : Gray**



Package	LED TYPE	Part No.	Chip	Emitted Color	Peak Wave Length (nm)	Lens Appearance	Absolute Maximum Ratings		Electro-optical Data@I <sub>F</sub> 20mA		Viewing Angle (°)			
							ΔI (mW)	θ (mrad)	V <sub>F</sub> (V)	I <sub>F</sub> Typ. (mA)		I <sub>F</sub> Max. (mA)	η Typ. (lm/W)	η Max. (lm/W)
High Efficiency	01	BL-B2141K	Green	568	Green Diffused	30	100	30	150	2.2	2.6	30.0	50	
		BL-B3141K	Yellow	585	Yellow Diffused	35	100	30	150	2.1	2.6	20.0	50	
		BL-BA141K	Amber	610	Amber Diffused	35	100	30	150	2.0	2.6	60.0	50	
		BL-B5141K	Bright Red	700	Red Diffused	90	50	15	50	2.2	2.6	10.0	50	
		BL-BB141E	Super Blue	470	Blue Diffused	30	100	30	100	3.5	4.0	550	45	
	Low Current	02	BL-B5141K-L	Hi-Eff Red	635	Red Diffused	45	15	7	-	1.7	2.2	4.5	50
			BL-B2141K-L	Green	568	Green Diffused	30	16	7	-	1.9	2.3	7.0	50
			BL-B3141K-L	Yellow	585	Yellow Diffused	35	15	7	-	1.8	2.2	3.5	50
			BR-B4541K-GSV	Hi-Eff Red	635	Red Diffused	-	-	8	-	5	-	15.5	-
			BR-B2141K-GSV	Green	568	Green Diffused	-	-	8	-	5	-	15.5	-
Integral Resistor 5V	03	BR-B3141K-GSV	Yellow	585	Yellow Diffused	-	-	8	-	5	-	14.0	-	
		BR-B4141K-GSV	Orange	635	Orange Diffused	-	-	8	-	5	-	15.5	-	
		BL-BEX271E	Hi-Eff Red	635	White Diffused	45	100	30	150	2.0	2.6	25.0	45	
Bi-color	07	BL-BEX271E	Green	568	White Diffused	30	100	30	150	2.2	2.6	30.0	45	
		BL-BYX271E	Yellow	585	White Diffused	35	100	30	150	2.1	2.6	20.0	45	
		BL-BYX271E	Green	568	White Diffused	30	100	30	150	2.2	2.6	30.0	45	
1.0" Lead Flangeless 4.8Ø	01	BL-B5133N	Bright Red	700	Red Diffused	90	50	15	50	2.2	2.6	50.0	40	
		BL-B2133N	Green	568	Green Diffused	30	100	30	150	2.2	2.6	65.0	40	
		BL-B3133N	Yellow	585	Yellow Diffused	35	100	30	150	2.1	2.6	60.0	40	
		BL-B5134N	Bright Red	700	Red Diffused	90	50	15	50	2.2	2.6	13.0	45	
		BL-B2134N	Green	568	Green Diffused	30	100	30	150	2.2	2.6	90.0	45	
	T-1 3/4 1.0" Lead Flangeless 5Ø	01	BL-B3134N	Yellow	585	Yellow Diffused	35	100	30	150	2.1	2.6	70.0	45
			BL-BB141RAN	Super Blue	470	Blue Diffused	30	100	30	100	3.5	4.0	550	45
			BL-BEG274N	Green	568	White Diffused	45	100	30	150	2.0	2.6	45.0	45
			BL-BEG274N	Yellow	585	White Diffused	30	100	30	150	2.2	2.6	50.0	45
			BL-BYX274N	Green	568	White Diffused	35	100	30	150	2.1	2.6	35.0	45
T-1 3/4 1.0" Lead Standard 5Ø	07	BL-BEG274N	Green	568	White Diffused	30	100	30	150	2.2	2.6	50.0	45	
		BL-BEG274N	Yellow	585	White Diffused	30	100	30	150	2.2	2.6	50.0	45	
		BL-BYX274N	Green	568	White Diffused	30	100	30	150	2.2	2.6	50.0	45	
T-1 3/4 1.0" Lead Rectangular	07	BL-BEG204	Hi-Eff Red	635	White Diffused	45	100	30	150	2.0	2.6	35.0	40	
		BL-BEG204	Green	568	White Diffused	30	100	30	150	2.2	2.6	45.0	40	
		BL-BYX204	Yellow	585	White Diffused	35	100	30	150	2.1	2.6	30.0	40	
2.0x5.0x7.0 1.0" Lead Rectangular	07	BL-BYX204	Green	568	White Diffused	30	100	30	150	2.2	2.6	45.0	40	
		BL-RVT302B-R	Hi-Eff Red	635	Water Clear	45	100	30	150	2.0	2.6	4.0	80	

**广东科斯达电子科技有限公司**  
**GUANG DONG KE SI DA ELECTRONIC TECHNOLOGY CO., LTD.**

TOLERANCE UNLESS OTHERWISE STATED:  
 Up to 5 ±0.2  
 Above 5 ~ 15 ±0.3  
 Above 15 ~ 30 ±0.4  
 Above 30 ~ 50 ±0.5  
 Angle ±0.3



UNITS MM

DRAWN BY: Jack Lu  
 CHECKED BY: Jacky Chen  
 APPROVED BY: Tony Kao

DATE: 12/27/22

MATL	TITLE	SWITCH
FINISH	MODLE	SWITCH
SCALE: 1 : 1	DWG NO.	SEO-0X06
SHEET NO. 1 of 1	PART NO.	

ITEM NO.	DESCRIPTION	DRAWN	DATE

SIZE: A4  
 VER: R