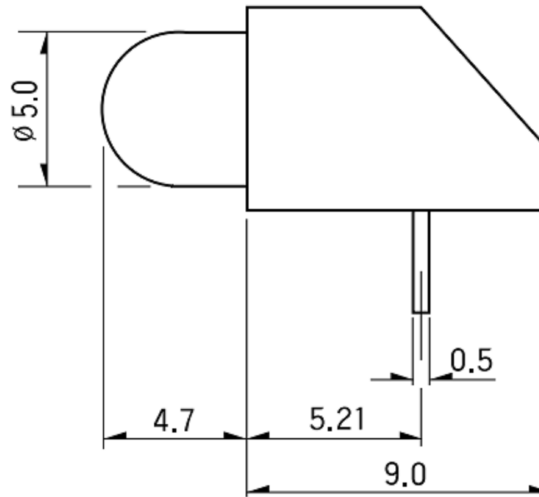
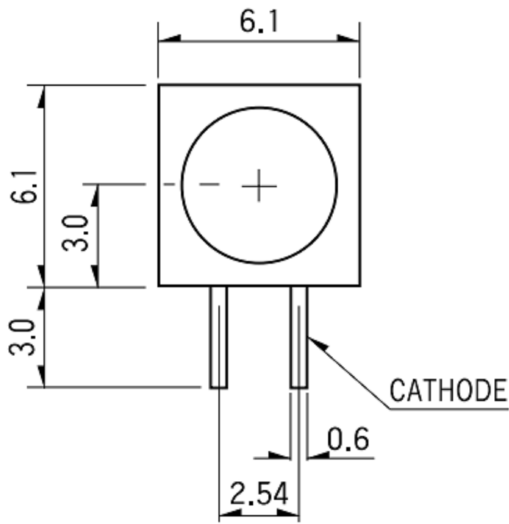
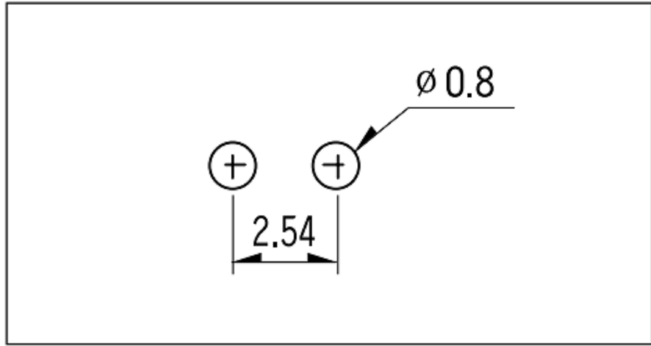


P.C.B DIMENSION



MODEL	SEO-0207	SEO-0307	SEO-0407	SEO-2507	SEO-0507	SEO-0607	SEO-0707	SEO-0807	SEO-3007	SEO-3107
LED Color	Green	Yellow	Red	Amber	Green Water Clear	Yellow Water Clear	Red Water Clear	Blue	Red / Green	Yellow / Green
LED Spec	BL-B2134N	BL-B3134N	BL-B5134N	BL-BA1134N	BL-B2334N	BL-B3334N	BL-B5334N	BL-BB41RAN	BL-BEG274N	BL-BYG274N



* Reverse Cathode Left : SEO-0 07G
Housing Color : Gray

Package	LED TYPE	Part No.	Chip	Lens	Absolute Maximum Ratings			Electro-optical Data(AI 20mA)		Viewing Angle 2θ 1/2° (99)				
					Δλ (nm)	Pd (mW)	If (mA)	Vf(V) Typ.	Iv Typ. (mA)					
High Efficiency	01	BL-B2141K	Green	568	Green Diffused	30	100	30	150	2.2	2.6	30.0	50	
		BL-B3141K	Yellow	585	Yellow Diffused	35	100	30	150	2.1	2.6	20.0	50	
		BL-BA1141K	Amber	610	Amber Diffused	35	100	30	150	2.0	2.6	60.0	50	
		BL-B5141K	Bright Red	700	Red Diffused	90	50	15	50	2.2	2.6	10.0	50	
		BL-BB41V1E	Super Blue	470	Blue Diffused	30	100	30	100	3.5	4.0	550	45	
	Low Current	02	BL-B5141K-L	Hi-Eff Red	635	Red Diffused	45	15	7	-	1.7	2.2	4.5	50
			BL-B2141K-L	Green	568	Green Diffused	30	16	7	-	1.9	2.3	7.0	50
			BL-B3141K-L	Yellow	585	Yellow Diffused	35	15	7	-	1.8	2.2	3.5	50
			BR-B4541K-GSV	Hi-Eff Red	635	Red Diffused	-	-	8	-	5	-	15.5	-
			BR-B2141K-GSV	Green	568	Green Diffused	-	-	8	-	5	-	15.5	-
Integral Resistor 5V	03	BR-B3141K-GSV	Yellow	585	Yellow Diffused	-	-	8	-	5	-	14.0	-	
		BR-B4141K-GSV	Orange	635	Orange Diffused	-	-	8	-	5	-	15.5	-	
		BL-BEX271E	Hi-Eff Red	635	White Diffused	45	100	30	150	2.0	2.6	25.0	45	
Bi-color	07	BL-BEX271E	Green	568	White Diffused	30	100	30	150	2.2	2.6	30.0	45	
		BL-BYX271E	Yellow	585	White Diffused	35	100	30	150	2.1	2.6	20.0	45	
		BL-BYX271E	Green	568	White Diffused	30	100	30	150	2.2	2.6	30.0	45	
1.0" Lead Flangeless 4.8Ø	01	BL-B5133N	Bright Red	700	Red Diffused	90	50	15	50	2.2	2.6	50.0	40	
		BL-B2133N	Green	568	Green Diffused	30	100	30	150	2.2	2.6	65.0	40	
		BL-B3133N	Yellow	585	Yellow Diffused	35	100	30	150	2.1	2.6	90.0	40	
		BL-B5134N	Bright Red	700	Red Diffused	90	50	15	50	2.2	2.6	13.0	45	
		BL-B2134N	Green	568	Green Diffused	30	100	30	150	2.2	2.6	90.0	45	
		BL-B3134N	Yellow	585	Yellow Diffused	35	100	30	150	2.1	2.6	70.0	45	
T-1 3/4 1.0" Lead Flangeless 5Ø	01	BL-BB41RAN	Super Blue	470	Blue Diffused	30	100	30	100	3.5	4.0	550	45	
		BL-BEG274N	Green	568	White Diffused	45	100	30	150	2.0	2.6	45.0	45	
		BL-BEG274N	Yellow	585	White Diffused	30	100	30	150	2.2	2.6	50.0	45	
		BL-BYX274N	Yellow	585	White Diffused	35	100	30	150	2.1	2.6	35.0	45	
		BL-BYX274N	Green	568	White Diffused	30	100	30	150	2.2	2.6	50.0	45	
		BL-BYX274N	Green	568	White Diffused	30	100	30	150	2.2	2.6	50.0	45	
T-1 3/4 1.0" Lead Standard 5Ø	07	BL-BEG204	Hi-Eff Red	635	White Diffused	45	100	30	150	2.0	2.6	35.0	40	
		BL-BEG204	Green	568	White Diffused	30	100	30	150	2.2	2.6	45.0	40	
		BL-BYX204	Yellow	585	White Diffused	35	100	30	150	2.1	2.6	30.0	40	
2.0x5.0x7.0 1.0" Lead Rectangular		BL-BYX204	Green	568	White Diffused	30	100	30	150	2.2	2.6	45.0	40	
		BL-RVT302B-R	Hi-Eff Red	635	Water Clear	45	100	30	150	2.0	2.6	4.0	80	
BL-RVT302B-R	Green	568	Water Clear	30	100	30	150	2.2	2.6	4.5	80			

广东科斯达电子科技有限公司
GUANG DONG KE SI DA ELECTRONIC TECHNOLOGY CO., LTD.

TOLERANCE UNLESS OTHERWISE STATED :
Up to 5 ±0.2
Above 5 ~ 15 ±0.3
Above 15 ~ 30 ±0.4
Above 30 ~ 50 ±0.5
Angle ±0.3



UNITS MM

DRAWN BY: Jack Lu DATE: 12/27/22
CHECKED BY: Jacky Chen DATE: 12/27/22
APPROVED BY: Tony Kao DATE: 12/27/22

MATL		TITLE	SWITCH
FINISH		MODLE	SWITCH
SCALE	1 : 1	DWG NO.	SEO-0X07
SHEET NO.	1 of 1	PART NO.	
		SIZE	A4
		VER	R

ITEM NO.	DESCRIPTION	DRAWN	DATE