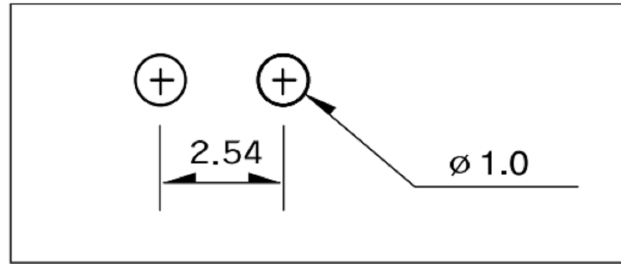


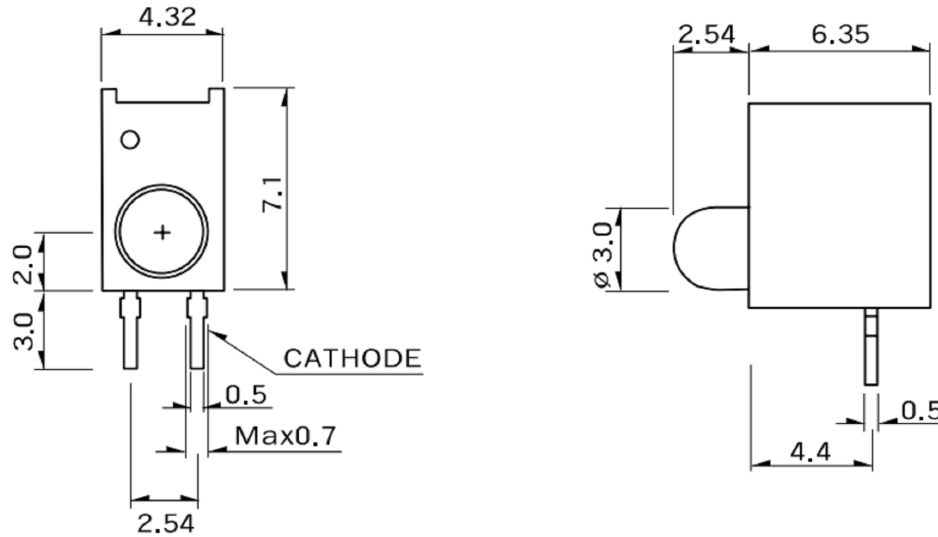


P.C.B DIMENSION



Model	SEA-0207	SEA-0307	SEA-0407	SEA-2507	SEA-0507	SEA-0607	SEA-0707	SEA-0807	SEA-1107	SEA-1207	SEA-1307	SAA-0312	SAA-0332
LED COLOR	Green	Yellow	Red	Amber	Red (5V)	Green (5V)	Yellow (5V)	Blue	Red (Low)	Yellow (Low)	Green (Low)	Red / Green	Yellow / Green
LED SPEC	BL-B2141K	BL-B3141K	BL-B5141K	BL-BA1141K	BR-B4541K-G5V	BR-B2141K-G5V	BR-B3141K-G5V	BL-BB41V1E	BL-B5141K-L	BL-B3141K-L	BL-B2141K-L	BL-BEX271E	BL-BYX271E

* Reverse Cathode Left : SAE-0X07G
Housing Color : Gray



Package	LED TYPE	Part No.	Chip	Emitted Color	Peak Wave Length (nm)	Lens	Absolute Maximum Ratings			Electro-optical Data(AI 20mA)			Viewing Angle 2θ Typ. (°)	
							ΔI (mA)	Pd (mW)	If (mA)	Vf(V)	Iv Typ. (mA)	W Typ. (mcd)		
High Efficiency	01	BL-B2141K	Green	568	Green Diffused	30	100	30	150	2.2	2.6	30.0	50	
		BL-B3141K	Yellow	585	Yellow Diffused	35	100	30	150	2.1	2.6	20.0	50	
		BL-BA1141K	Amber	610	Amber Diffused	35	100	30	150	2.0	2.6	60.0	50	
		BL-B5141K	Bright Red	700	Red Diffused	90	50	15	50	2.2	2.6	10.0	50	
		BL-BB41V1E	Super Blue	470	Blue Diffused	30	100	30	100	3.5	4.0	550	45	
		BL-B5141K-L	Hi-Eff Red	635	Red Diffused	45	15	7	-	1.7	2.2	4.5	50	
	Low Current	02	BL-B2141K-L	Green	568	Green Diffused	30	16	7	-	1.9	2.3	7.0	50
			BL-B3141K-L	Yellow	585	Yellow Diffused	35	15	7	-	1.8	2.2	3.5	50
			BR-B4541K-G5V	Hi-Eff Red	635	Red Diffused	-	-	8	-	5	-	15.5	-
		03	BR-B2141K-G5V	Green	568	Green Diffused	-	-	8	-	5	-	15.5	-
			BR-B3141K-G5V	Yellow	585	Yellow Diffused	-	-	8	-	5	-	14.0	-
			BR-B4141K-G5V	Orange	635	Orange Diffused	-	-	8	-	5	-	15.5	-
Bi-color	07	BL-BEX271E	Hi-Eff Red	635	White Diffused	45	100	30	150	2.0	2.6	25.0	45	
		Green	568	White Diffused	30	100	30	150	2.2	2.6	30.0	45		
		Yellow	585	White Diffused	35	100	30	150	2.1	2.6	20.0	45		
1.0" Lead Flangeless 4.8φ	01	BL-B5133N	Bright Red	700	Red Diffused	90	50	15	50	2.2	2.6	50.0	40	
		BL-B2133N	Green	568	Green Diffused	30	100	30	150	2.2	2.6	65.0	40	
		BL-B3133N	Yellow	585	Yellow Diffused	35	100	30	150	2.1	2.6	60.0	40	
		BL-B5134N	Bright Red	700	Red Diffused	90	50	15	50	2.2	2.6	13.0	45	
		BL-B2134N	Green	568	Green Diffused	30	100	30	150	2.2	2.6	90.0	45	
		BL-B3134N	Yellow	585	Yellow Diffused	35	100	30	150	2.1	2.6	70.0	45	
	T-1 3/4 1.0" Lead Flangeless 5φ	01	BL-BB41R4N	Super Blue	470	Blue Diffused	30	100	30	100	3.5	4.0	550	45
			BL-BEG274N	Hi-Eff Red	635	White Diffused	45	100	30	150	2.0	2.6	45.0	45
			Green	568	White Diffused	30	100	30	150	2.2	2.6	50.0	45	
		07	BL-BY274N	Yellow	585	White Diffused	35	100	30	150	2.1	2.6	35.0	45
			Green	568	White Diffused	30	100	30	150	2.2	2.6	50.0	45	
			Blue	470	White Diffused	30	100	30	150	2.2	2.6	50.0	45	
T-1 3/4 1.0" Lead Standard 5φ	07	BL-BEG204	Hi-Eff Red	635	White Diffused	45	100	30	150	2.0	2.6	35.0	40	
		Green	568	White Diffused	30	100	30	150	2.2	2.6	45.0	40		
		Yellow	585	White Diffused	35	100	30	150	2.1	2.6	30.0	40		
2.0x5.0x7.0 1.0" Lead Rectangular	07	BL-BYG204	Green	568	White Diffused	30	100	30	150	2.2	2.6	45.0	40	
		Green	568	White Diffused	30	100	30	150	2.2	2.6	45.0	40		
		Hi-Eff Red	635	Water Clear	45	100	30	150	2.0	2.6	4.0	80		
Green	568	Water Clear	30	100	30	150	2.2	2.6	4.5	80				

广东科斯达电子科技有限公司
GUANG DONG KE SI DA ELECTRONIC TECHNOLOGY CO., LTD.

TOLERANCE UNLESS OTHERWISE STATED:
Up to 5 ±0.2
Above 5 ~ 15 ±0.3
Above 15 ~ 30 ±0.4
Above 30 ~ 50 ±0.5
Angle ±0.3

3RD. ANGLES



UNITS MM

DRAWN BY: Jack Lu
CHECKED BY: Jacky Chen
APPROVED BY: Tony Kao

DATE: 12/27/22
DATE: 12/27/22
DATE: 12/27/22

MAT'L
FINISH
SCALE: 1 : 1
SHEET NO. 1 of 1

TITLE: SWITCH
MODLE: SWITCH
DWG NO. SAE-0X07
PART NO.

SIZE: A4
VER: R

ITEM NO. DESCRIPTION DRAWN DATE