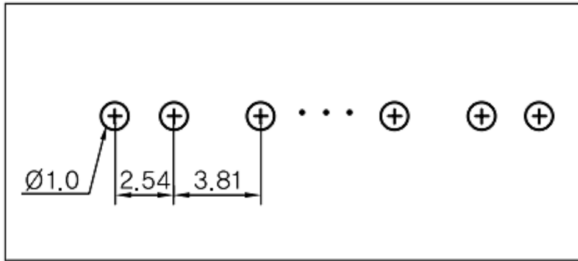


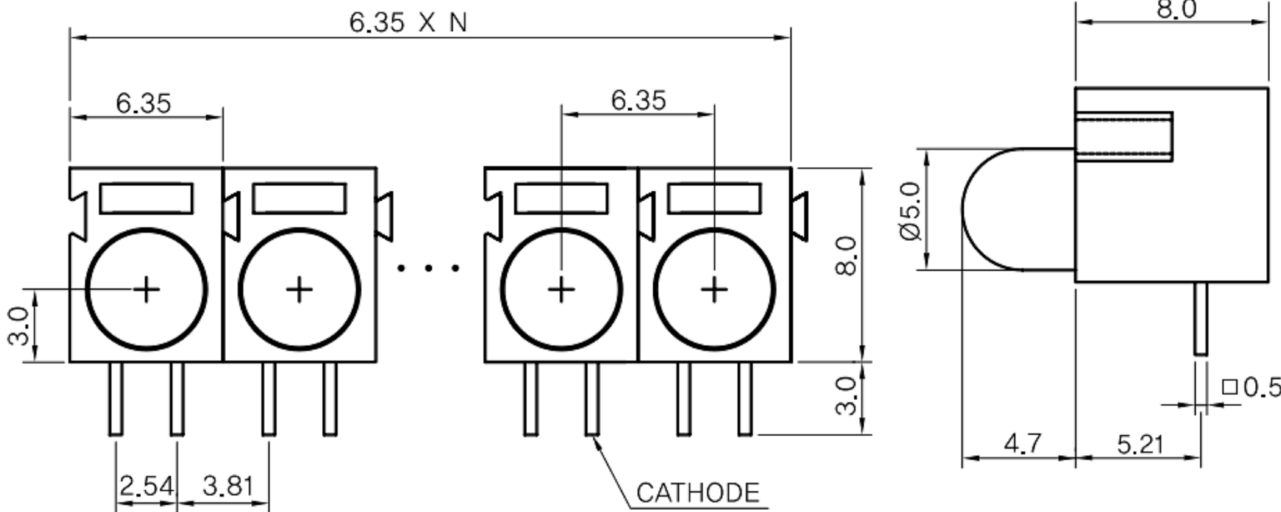
# P.C.B DIMENSION



Number	0	1 (Bi-Color)	2	3	4 (Bi-Color)	8
Color	Blank	Red (Red/Green)	Green	Yellow	Amber (Yellow/Green)	Blue



\* Reverse Cathode Left :  
**SEU-01- XX - XX G**  
 Housing Color : Gray



Package	LED TYPE	Part No.	Chip	Emitted Color	Peak Wavelength (nm)	Lens Appearance	Absolute Maximum Ratings			Electro-optical Data(AI 20mA)			Viewing Angle 2θ 1/2° (99%)
							ΔI (mm)	Pd (mW)	If (mA)	Vf(V) Typ.	Vf(V) Max.	Iv Typ (mA)	
High Efficiency	01	BL-B2141K	Green	568	Green Diffused	30	100	30	150	2.2	2.6	30.0	50
		BL-B3141K	Yellow	585	Yellow Diffused	35	100	30	150	2.1	2.6	20.0	50
		BL-BA1141K	Amber	610	Amber Diffused	35	100	30	150	2.0	2.6	60.0	50
		BL-B5141K	Bright Red	700	Red Diffused	90	50	15	50	2.2	2.6	10.0	50
		BL-BB41V1E	Super Blue	470	Blue Diffused	30	100	30	100	3.5	4.0	550	45
		BL-B5141K-L	Hi-Eff Red	635	Red Diffused	45	15	7	-	1.7	2.2	4.5	50
Low Current	02	BL-B2141K-L	Green	568	Green Diffused	30	16	7	-	1.9	2.3	7.0	50
		BL-B3141K-L	Yellow	585	Yellow Diffused	35	15	7	-	1.8	2.2	3.5	50
		BR-B4541K-GV	Hi-Eff Red	635	Red Diffused	-	-	8	-	5	-	15.5	-
Integral Resistor 5V	03	BR-B2141K-GV	Green	568	Green Diffused	-	-	8	-	5	-	15.5	-
		BR-B3141K-GV	Yellow	585	Yellow Diffused	-	-	8	-	5	-	14.0	-
		BR-B4141K-GV	Orange	635	Orange Diffused	-	-	8	-	5	-	15.5	-
Bi-color	07	BL-BEX271E	Hi-Eff Red	635	White Diffused	45	100	30	150	2.0	2.6	25.0	45
		BL-BEX271E	Green	568	White Diffused	30	100	30	150	2.2	2.6	30.0	45
		BL-BYX271E	Yellow	585	White Diffused	35	100	30	150	2.1	2.6	20.0	45
1.0" Lead Flangeless 4.8Ø	01	BL-B5133N	Bright Red	700	Red Diffused	90	50	15	50	2.2	2.6	50.0	40
		BL-B2133N	Green	568	Green Diffused	30	100	30	150	2.2	2.6	65.0	40
		BL-B3133N	Yellow	585	Yellow Diffused	35	100	30	150	2.1	2.6	50.0	40
		BL-B5134N	Bright Red	700	Red Diffused	90	50	15	50	2.2	2.6	13.0	45
		BL-B2134N	Green	568	Green Diffused	30	100	30	150	2.2	2.6	90.0	45
		BL-B3134N	Yellow	585	Yellow Diffused	35	100	30	150	2.1	2.6	70.0	45
T-1 3/4 1.0" Lead Flangeless 5Ø	01	BL-BB41RAN	Super Blue	470	Blue Diffused	30	100	30	100	3.5	4.0	550	45
		BL-BEG274N	Green	568	White Diffused	45	100	30	150	2.0	2.6	45.0	45
		BL-BEG274N	Yellow	585	White Diffused	35	100	30	150	2.2	2.6	50.0	45
		BL-BY274N	Green	568	White Diffused	30	100	30	150	2.1	2.6	35.0	45
T-1 3/4 1.0" Lead Standard 5Ø	07	BL-BEG204	Hi-Eff Red	635	White Diffused	45	100	30	150	2.0	2.6	35.0	40
		BL-BEG204	Green	568	White Diffused	30	100	30	150	2.2	2.6	45.0	40
		BL-BY204	Yellow	585	White Diffused	35	100	30	150	2.1	2.6	30.0	40
2.0x5.0x7.0 1.0" Lead Rectangular		BL-RVT302B-R	Hi-Eff Red	635	Water Clear	45	100	30	150	2.0	2.6	4.0	80
			Green	568	Water Clear	30	100	30	150	2.2	2.6	4.5	80

广东科斯达电子科技有限公司  
 GUANG DONG KE SI DA ELECTRONIC TECHNOLOGY CO., LTD.

TOLERANCE UNLESS OTHERWISE STATED :  
 Up to 5 ±0.2  
 Above 5 ~ 15 ±0.3  
 Above 15 ~ 30 ±0.4  
 Above 30 ~ 50 ±0.5  
 Angle ±0.3



MM

DRAWN BY: Jack Lu  
 CHECKED BY: Jacky Chen  
 APPROVED BY: Tony Kao  
 DATE: 12/27/22

MATL		TITLE	SWITCH
FINISH		MODLE	SWITCH
SCALE	1 : 1	DWG NO.	SEU-01XX ... XX
SHEET NO.	1 of 1	PART NO.	

SIZE A4  
 VER R