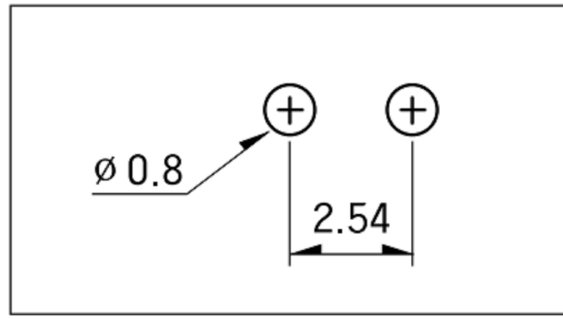
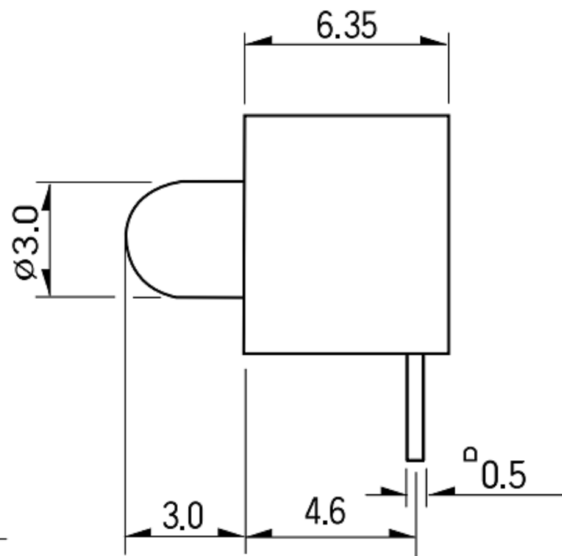
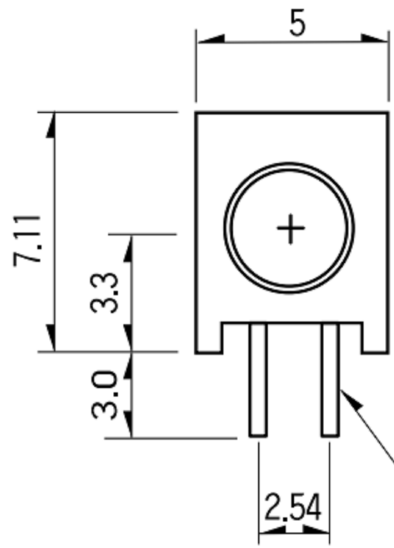


P.C.B DIMENSION



Model	SEA-0204	SEA-0304	SEA-0404	SEA-2504	SEA-0804	SEA-0204C	SEA-0304C	SEA-0404C	SEA-3004B
LED COLOR	Green	Yellow	Red	Amber	Blue	Green Color Clear	Yellow Color Clear	Red Color Clear	Red Color Clear
LED SPEC	BL-B2141	BL-B3141	BL-B5141	BL-BA1141	BL-BB33V1	BL-B2441	BL-B3441	BL-B5441	BL-BEG271

*** Reverse Cathode Left : SEF-0X05G**
Housing Color : Gray



Package	LED TYPE	Part No.	Chip	Emitted Color	Peak Wave Length (nm)	Appearance	Absolute Maximum Ratings			Electro-optical Data@I _F 20mA			Viewing Angle (°)
							ΔI (mA)	Pd (mW)	If (mA)	Vf(V)	Iv Typ (mA)	Iv Max (mA)	
High Efficiency	01	BL-B2141K	Green	568	Green Diffused	30	100	30	150	2.2	2.6	30.0	50
		BL-B3141K	Yellow	585	Yellow Diffused	35	100	30	150	2.1	2.6	20.0	50
		BL-BA1141K	Amber	610	Amber Diffused	35	100	30	150	2.0	2.6	60.0	50
		BL-B5141K	Bright Red	700	Red Diffused	90	50	15	50	2.2	2.6	10.0	50
		BL-BB41V1E	Super Blue	470	Blue Diffused	30	100	30	100	3.5	4.0	550	45
	02	BL-B5141K-L	Hi-Eff Red	635	Red Diffused	45	15	7	-	1.7	2.2	4.5	50
		BL-B2141K-L	Green	568	Green Diffused	30	16	7	-	1.9	2.3	7.0	50
		BL-B3141K-L	Yellow	585	Yellow Diffused	35	15	7	-	1.8	2.2	3.5	50
		BR-B4541K-GSV	Hi-Eff Red	635	Red Diffused	-	-	8	-	5	-	15.5	-
		BR-B2141K-GSV	Green	568	Green Diffused	-	-	8	-	5	-	15.5	-
Integral Resistor 5V	03	BR-B3141K-GSV	Yellow	585	Yellow Diffused	-	-	8	-	5	-	14.0	-
		BR-B4141K-GSV	Orange	635	Orange Diffused	-	-	8	-	5	-	15.5	-
		BL-BEX271E	Hi-Eff Red	635	White Diffused	45	100	30	150	2.0	2.6	25.0	45
Bi-color	07	BL-BEX271E	Green	568	White Diffused	30	100	30	150	2.2	2.6	30.0	45
		BL-BY271E	Yellow	585	White Diffused	35	100	30	150	2.1	2.6	20.0	45
		BL-BY271E	Green	568	White Diffused	30	100	30	150	2.2	2.6	30.0	45
1.0" Lead Flangeless 4.8Ø	01	BL-B5133N	Bright Red	700	Red Diffused	90	50	15	50	2.2	2.6	50.0	40
		BL-B2133N	Green	568	Green Diffused	30	100	30	150	2.2	2.6	30.0	45
		BL-B3133N	Yellow	585	Yellow Diffused	35	100	30	150	2.1	2.6	30.0	40
		BL-B5134N	Bright Red	700	Red Diffused	90	50	15	50	2.2	2.6	13.0	45
		BL-B2134N	Green	568	Green Diffused	30	100	30	150	2.2	2.6	90.0	45
		BL-B3134N	Yellow	585	Yellow Diffused	35	100	30	150	2.1	2.6	70.0	45
T-1 3/4 1.0" Lead Flangeless 5Ø	01	BL-BB41FRN	Super Blue	470	Blue Diffused	30	100	30	100	3.5	4.0	550	45
		BL-BEG274N	Green	568	White Diffused	45	100	30	150	2.0	2.6	45.0	45
		BL-BEG274N	Yellow	585	White Diffused	30	100	30	150	2.2	2.6	50.0	45
		BL-BY274N	Yellow	585	White Diffused	35	100	30	150	2.1	2.6	35.0	45
		BL-BY274N	Green	568	White Diffused	30	100	30	150	2.2	2.6	50.0	45
		BL-BEG204	Hi-Eff Red	635	White Diffused	45	100	30	150	2.0	2.6	35.0	40
T-1 3/4 1.0" Lead Standard 5Ø	07	BL-BEG204	Green	568	White Diffused	30	100	30	150	2.2	2.6	45.0	40
		BL-BY204	Yellow	585	White Diffused	35	100	30	150	2.1	2.6	30.0	40
		BL-BY204	Green	568	White Diffused	30	100	30	150	2.2	2.6	45.0	40
2.0x5.0x7.0 1.0" Lead Rectangular		BL-RVT302B-R	Hi-Eff Red	635	Water Clear	45	100	30	150	2.0	2.6	4.0	80
			Green	568		30	100	30	150	2.2	2.6	4.5	80

广东科斯达电子科技有限公司
GUANG DONG KE SI DA ELECTRONIC TECHNOLOGY CO., LTD.

DRAWN BY: Jack Lu DATE: 12/27/22
 CHECKED BY: Jacky Chen DATE: 12/27/22
 APPROVED BY: Tony Kao DATE: 12/27/22

MATL		TITLE	SWITCH
FINISH		MODLE	SWITCH
SCALE	1 : 1	DWG NO.	SEF-0X05
SHEET NO.	1 of 1	PART NO.	

TOLERANCE UNLESS OTHERWISE STATED:
 Up to 5 ±0.2
 Above 5 ~ 15 ±0.3
 Above 15 ~ 30 ±0.4
 Above 30 ~ 50 ±0.5
 Angle ±0.3

3RD. ANGEL'S
 UNITS MM

ITEM NO.	DESCRIPTION	DRAWN	DATE

SIZE A4
 VER R