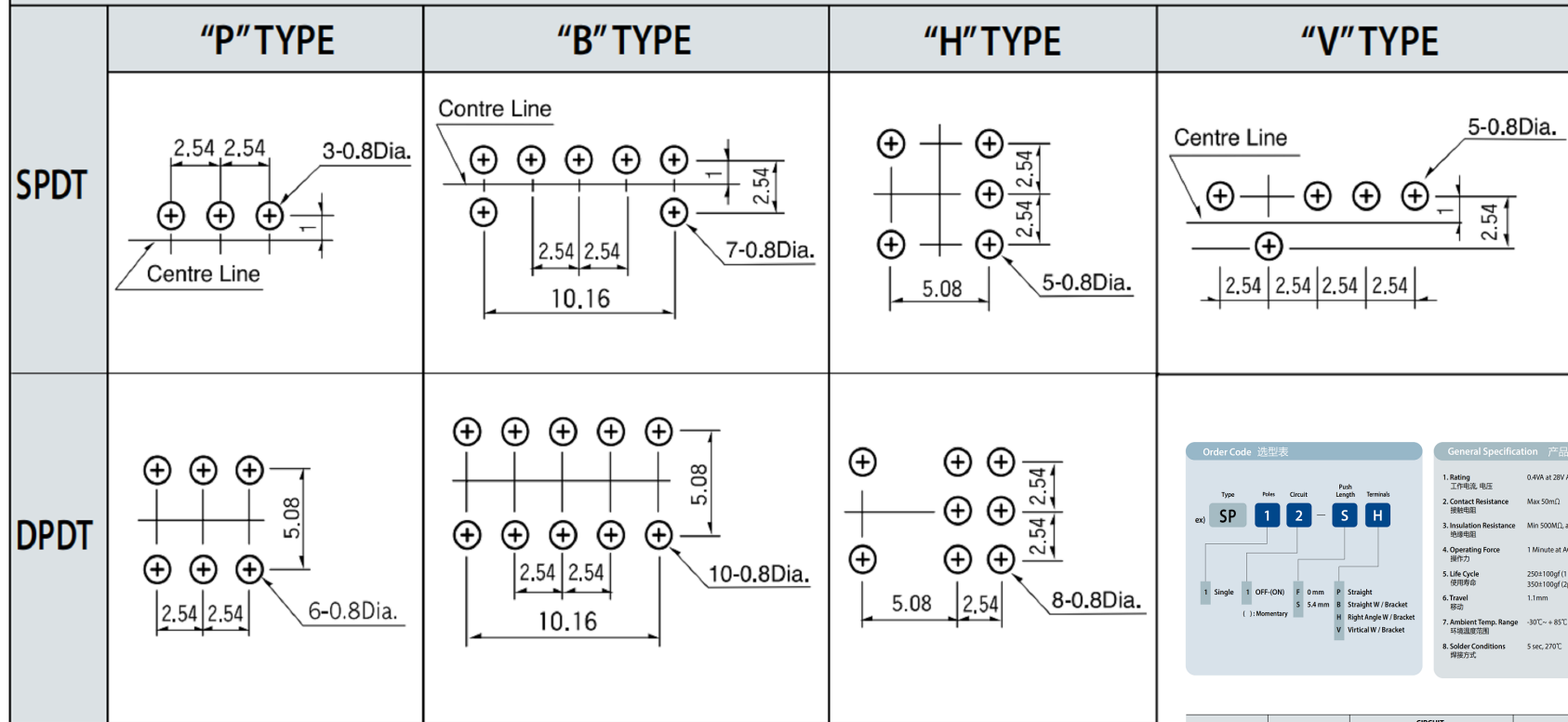




P.C.B DIMENSIONS



Order Code 选型表

Type	Poles	Circuit	Push Length	Terminals
ex) SP	1	2	S	H

1 Single
1 OFF (ON)
F 0 mm
S 5.4 mm

P Straight
B Straight W / Bracket
H Right Angle W / Bracket
V Vertical W / Bracket

() Momentary

General Specification 产品性能

- Rating 工作电压、电压: 0.4W at 28V AC or DC Max.
- Contact Resistance 接触电阻: Max 50mΩ
- Insulation Resistance 绝缘电阻: Min 500MΩ, at DC 500V
- Operating Force 操作力: 1 Minute at AC 500V
- Life Cycle 使用寿命: 250k 100gf (1 pole), 350k 100gf (2pole)
- Travel 行程: 1.1mm
- Ambient Temp. Range 环境温度范围: -30°C ~ +85°C
- Solder Conditions 锡焊工艺: 5 sec, 270°C

MODEL	POLES	CIRCUIT		SCHEMATICS
		NORMAL	DOWN	
SP-11	SPST	OFF	(ON)	
SP-12	SPDT	ON 2-3	(ON) 1-2	



TOLERANCE UNLESS OTHERWISE STATED:

Up to 5	±0.2
Above 5 ~ 15	±0.3
Above 15 ~ 30	±0.4
Above 30 ~ 50	±0.5
Angle	±0.3

3RD. ANGEL'S

DRAWN BY: Jack Lu
DATE: 12/27/22

CHECKED BY: Jacky Chen
DATE: 12/27/22

APPROVED BY: Tony Kao
DATE: 12/27/22

MATL

FINISH

SCALE: 1 : 1

SHEET NO. 1 of 1

TITLE: SWITCH

MODLE: SWITCH

DWG NO. SK-100 R

PART NO.

SIZE: A4
VER: R

ITEM NO.	DESCRIPTION	DRAWN	DATE