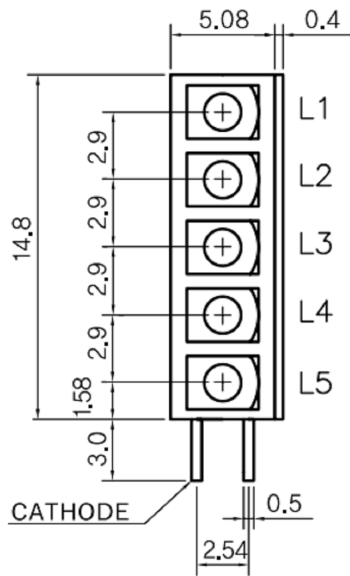
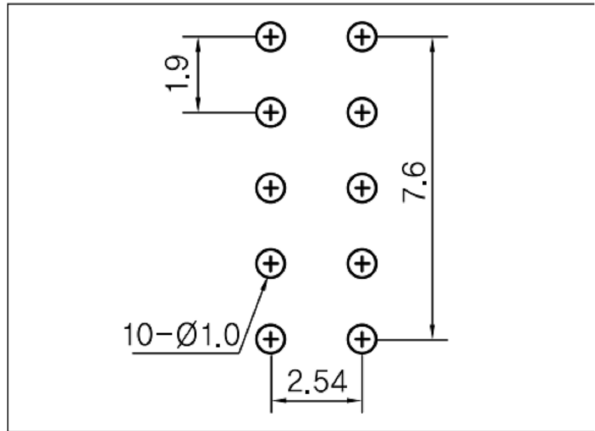


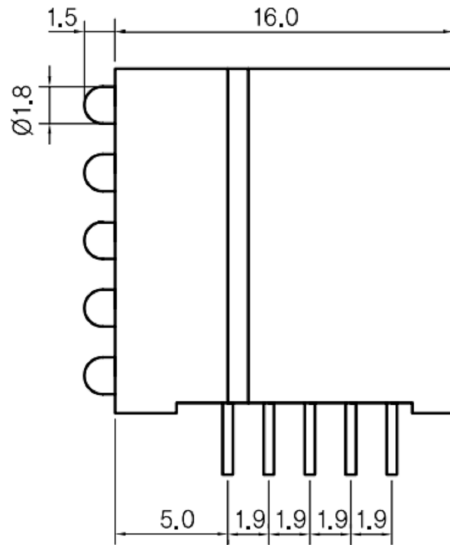
P.C.B DIMENSION



Number	0	1	2	3	4
Color	Blank	Red	Green	Yellow	Amber
LED Spec	.	BL-S5158D	BL-S2158D	BL-S3158D	BL-SA1158D



* Reverse Cathode Right : SGI-010-**X X X X X**G
Base Color : Gray



Package	LED TYPE	Part No.	Chip	Emitted Color	Peak Wave Length (nm)	Lens Appearance	Absolute Maximum Ratings			Electro-optical Data(AI 20mA)			Viewing Angle (°)	
							ΔI (mA)	Pd (mW)	If (mA)	Vf(V)	Iv Typ (mA)	Iv Max (mA)		
High Efficiency	01	BL-B2141K	Green	568	Green Diffused	30	100	30	150	2.2	2.6	30.0	50	
		BL-B3141K	Yellow	585	Yellow Diffused	35	100	30	150	2.1	2.6	20.0	50	
		BL-BA1141K	Amber	610	Amber Diffused	35	100	30	150	2.0	2.6	60.0	50	
		BL-B5141K	Bright Red	700	Red Diffused	90	50	15	50	2.2	2.6	10.0	50	
		BL-BB41V1E	Super Blue	470	Blue Diffused	30	100	30	100	3.5	4.0	550	45	
	Low Current	02	BL-B5141K-L	Hi-Eff Red	635	Red Diffused	45	15	7	-	1.7	2.2	4.5	50
			BL-B2141K-L	Green	568	Green Diffused	30	16	7	-	1.9	2.3	7.0	50
			BL-B3141K-L	Yellow	585	Yellow Diffused	35	15	7	-	1.8	2.2	3.5	50
			BR-B4541K-GSV	Hi-Eff Red	635	Red Diffused	-	-	8	-	5	-	15.5	-
			BR-B2141K-GSV	Green	568	Green Diffused	-	-	8	-	5	-	15.5	-
	Integral Resistor 5V	03	BR-B3141K-GSV	Yellow	585	Yellow Diffused	-	-	8	-	5	-	14.0	-
			BR-B4141K-GSV	Orange	635	Orange Diffused	-	-	8	-	5	-	15.5	-
			BL-BEX271E	Hi-Eff Red	635	White Diffused	45	100	30	150	2.0	2.6	25.0	45
	Bi-color	07	BL-BEX271E	Green	568	White Diffused	30	100	30	150	2.2	2.6	30.0	45
			BL-BYX271E	Yellow	585	White Diffused	35	100	30	150	2.1	2.6	20.0	45
BL-BYX271E			Green	568	White Diffused	30	100	30	150	2.2	2.6	30.0	45	
1.0" Lead Flangeless 4.8Ø	01	BL-B5133N	Bright Red	700	Red Diffused	90	50	15	50	2.2	2.6	50.0	40	
		BL-B2133N	Green	568	Green Diffused	30	100	30	150	2.2	2.6	65.0	40	
		BL-B3133N	Yellow	585	Yellow Diffused	35	100	30	150	2.1	2.6	60.0	40	
		BL-B5134N	Bright Red	700	Red Diffused	90	50	15	50	2.2	2.6	13.0	45	
		BL-B2134N	Green	568	Green Diffused	30	100	30	150	2.2	2.6	90.0	45	
	T-1 3/4 1.0" Lead Flangeless 5Ø	01	BL-B3134N	Yellow	585	Yellow Diffused	35	100	30	150	2.1	2.6	70.0	45
			BL-BB41RAN	Super Blue	470	Blue Diffused	30	100	30	100	3.5	4.0	550	45
			BL-BEG274N	Green	568	White Diffused	45	100	30	150	2.0	2.6	45.0	45
			BL-BEG274N	Yellow	585	White Diffused	35	100	30	150	2.2	2.6	50.0	45
			BL-BY274N	Green	568	White Diffused	30	100	30	150	2.2	2.6	50.0	45
T-1 3/4 1.0" Lead Standard 5Ø	07	BL-BEG204	Hi-Eff Red	635	White Diffused	45	100	30	150	2.0	2.6	35.0	40	
		BL-BEG204	Green	568	White Diffused	30	100	30	150	2.2	2.6	45.0	40	
		BL-BY204	Yellow	585	White Diffused	35	100	30	150	2.1	2.6	30.0	40	
		BL-BY204	Green	568	White Diffused	30	100	30	150	2.2	2.6	45.0	40	
2.0x5.0x7.0 1.0" Lead Rectangular		BL-RVT302B-R	Hi-Eff Red	635	Water Clear	45	100	30	150	2.0	2.6	4.0	80	
		BL-RVT302B-R	Green	568	Water Clear	30	100	30	150	2.2	2.6	4.5	80	

广东科斯达电子科技有限公司
GUANG DONG KE SI DA ELECTRONIC TECHNOLOGY CO., LTD.

TOLERANCE UNLESS OTHERWISE STATED :
Up to 5 ±0.2
Above 5 ~ 15 ±0.3
Above 15 ~ 30 ±0.4
Above 30 ~ 50 ±0.5
Angle ±0.3

3RD. ANGEL'S



UNITS

MM

DRAWN BY: Jack Lu
CHECKED BY: Jacky Chen
APPROVED BY: Tony Kao
DATE: 12/27/22

MAT'L
FINISH
SCALE: 1 : 1
SHEET NO. 1 of 1

TITLE: SWITCH
MODLE: SWITCH
DWG NO.: SGI-010-XXXXX
PART NO.:

SIZE: A4
VER: R

ITEM NO.	DESCRIPTION	DRAWN	DATE