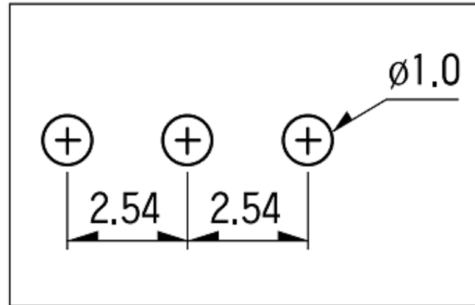
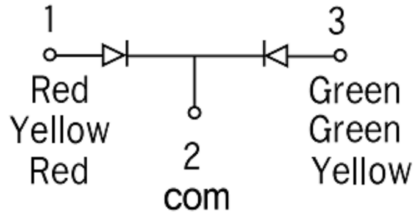
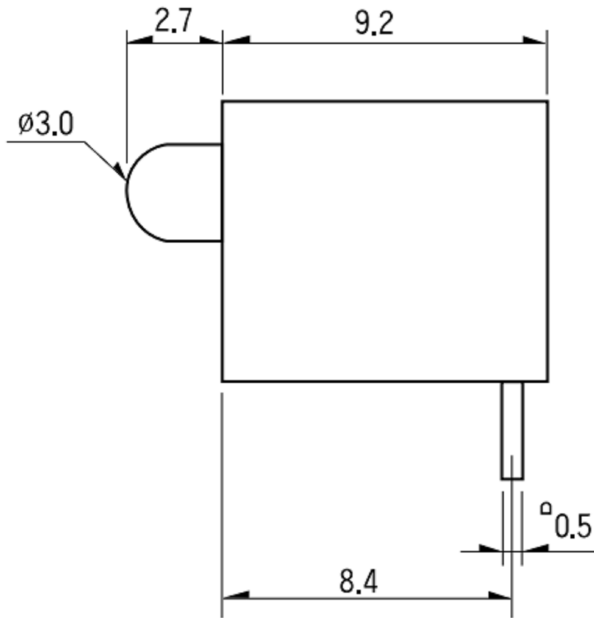
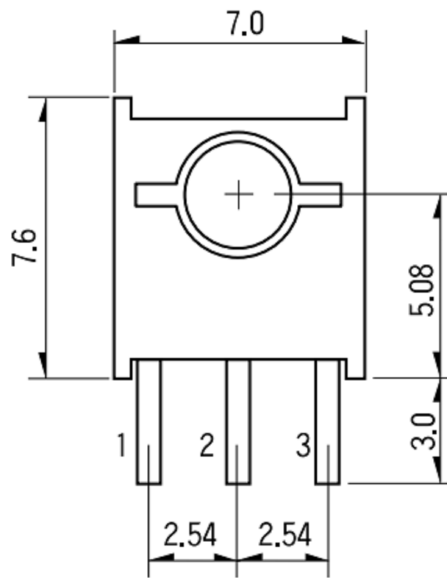


P.C.B DIMENSION



MODEL	SER-3510	SER-3610	SER-3710
LED Color	Red/Green	Yellow/Green	Red/Yellow
LED Spec	BL-BEG201	BL-BYG201	BL-BEY201



Package	LED TYPE	Part No.	Chip	Emitted Color	Peak Wavelength (nm)	Appearance	Absolute Maximum Ratings			Electro-optical Data@I _F 20mA		Viewing Angle 2θ 1/2° (90°)	
							Δλ (nm)	Pd (mW)	If (mA)	Vf(V)	Iv Typ (mA)		
High Efficiency	01	BL-B2141K	Green	568	Green Diffused	30	100	30	150	2.2	2.6	30.0	50
		BL-B3141K	Yellow	585	Yellow Diffused	35	100	30	150	2.1	2.6	20.0	50
		BL-B4141K	Amber	610	Amber Diffused	35	100	30	150	2.0	2.6	60.0	50
		BL-B5141K	Bright Red	700	Red Diffused	90	50	15	50	2.2	2.6	10.0	50
		BL-BB411E	Super Blue	470	Blue Diffused	30	100	30	100	3.5	4.0	550	45
		BL-B5141K-L	Hi-Eff Red	635	Red Diffused	45	15	7	-	1.7	2.2	4.5	50
		BL-B2141K-L	Green	568	Green Diffused	30	16	7	-	1.9	2.3	7.0	50
		BL-B3141K-L	Yellow	585	Yellow Diffused	35	15	7	-	1.8	2.2	3.5	50
		BR-B4541K-GV	Hi-Eff Red	635	Red Diffused	-	-	8	-	5	-	15.5	-
		BR-B2141K-GV	Green	568	Green Diffused	-	-	8	-	5	-	15.5	-
Integral Resistor 5V	03	BR-B3141K-GV	Yellow	585	Yellow Diffused	-	-	8	-	5	-	14.0	-
		BR-B4141K-GV	Orange	635	Orange Diffused	-	-	8	-	5	-	15.5	-
		BL-BEX271E	Hi-Eff Red	635	White Diffused	45	100	30	150	2.0	2.6	25.0	45
Bi-color	07	BL-BEX271E	Green	568	White Diffused	30	100	30	150	2.2	2.6	30.0	45
		BL-BYX271E	Yellow	585	White Diffused	35	100	30	150	2.1	2.6	20.0	45
		BL-BYX271E	Green	568	White Diffused	30	100	30	150	2.2	2.6	30.0	45
1.0" Lead Flangeless 4.8Ø	01	BL-B5133N	Bright Red	700	Red Diffused	90	50	15	50	2.2	2.6	50.0	40
		BL-B2133N	Green	568	Green Diffused	30	100	30	150	2.2	2.6	65.0	40
		BL-B3133N	Yellow	585	Yellow Diffused	35	100	30	150	2.1	2.6	60.0	40
		BL-B5134N	Bright Red	700	Red Diffused	90	50	15	50	2.2	2.6	13.0	45
		BL-B2134N	Green	568	Green Diffused	30	100	30	150	2.2	2.6	90.0	45
		BL-B3134N	Yellow	585	Yellow Diffused	35	100	30	150	2.1	2.6	70.0	45
		BL-BB411RAN	Super Blue	470	Blue Diffused	30	100	30	100	3.5	4.0	550	45
		BL-BEG274N	Green	568	White Diffused	45	100	30	150	2.0	2.6	45.0	45
		BL-BYG274N	Yellow	585	White Diffused	35	100	30	150	2.2	2.6	50.0	45
		BL-BYG274N	Green	568	White Diffused	30	100	30	150	2.2	2.6	50.0	45
T-1 3/4 1.0" Lead Flangeless 5Ø	07	BL-BEG204	Hi-Eff Red	635	White Diffused	45	100	30	150	2.0	2.6	35.0	40
		BL-BEG204	Green	568	White Diffused	30	100	30	150	2.2	2.6	45.0	40
		BL-BYG204	Yellow	585	White Diffused	35	100	30	150	2.1	2.6	30.0	40
		BL-BYG204	Green	568	White Diffused	30	100	30	150	2.2	2.6	45.0	40
T-2x5.0x7.0 1.0" Lead Rectangular		BL-RVT302B-R	Hi-Eff Red	635	Water Clear	45	100	30	150	2.0	2.6	4.0	80
		BL-RVT302B-R	Green	568	Water Clear	30	100	30	150	2.2	2.6	4.5	80

广东科斯达电子科技有限公司
GUANG DONG KE SI DA ELECTRONIC TECHNOLOGY CO., LTD.

TOLERANCE UNLESS OTHERWISE STATED:
 Up to 5 ±0.2
 Above 5 ~ 15 ±0.3
 Above 15 ~ 30 ±0.4
 Above 30 ~ 50 ±0.5
 Angle ±0.3

3RD. ANGLES



UNITS

MM

DRAWN BY: Jack Lu
 CHECKED BY: Jacky Chen
 APPROVED BY: Tony Kao

DATE: 12/27/22
 DATE: 12/27/22
 DATE: 12/27/22

MATL		TITLE	SWITCH
FINISH		MODLE	SWITCH
SCALE	1 : 1	DWG NO.	SER-3X10
SHEET NO.	1 of 1	PART NO.	

SIZE: A4
 VER: R

ITEM NO.	DESCRIPTION	DRAWN	DATE