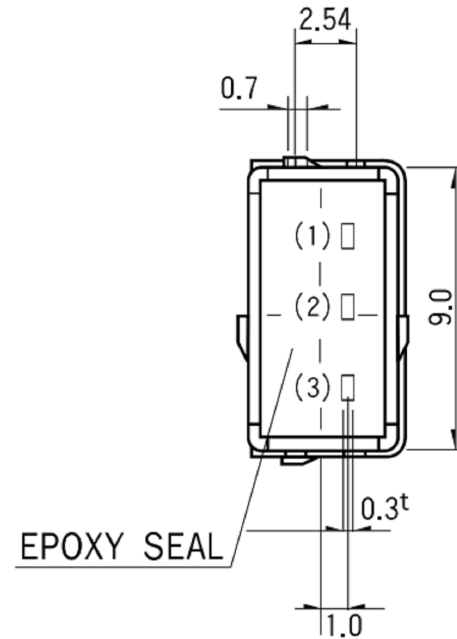
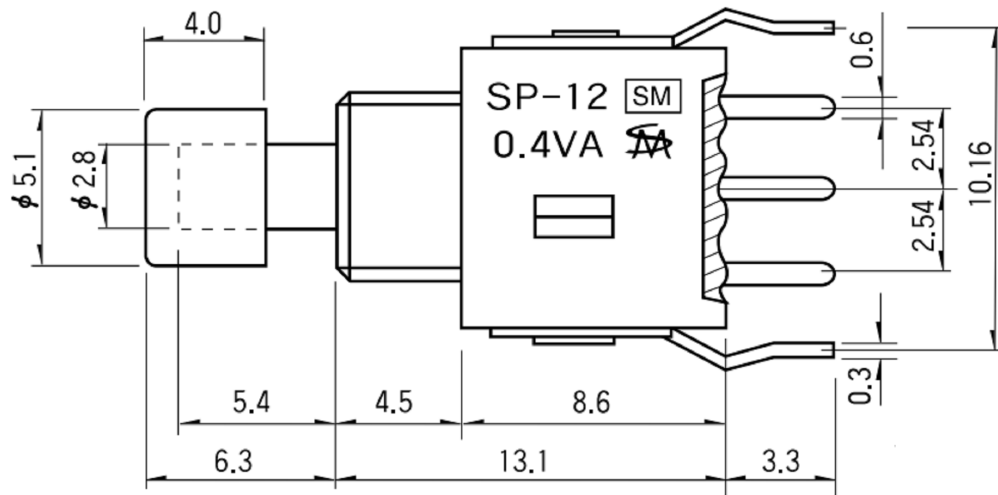
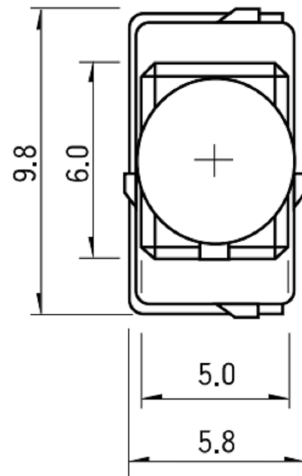


General Specification 产品性能

- Rating: 0.4VA at 28V AC or DC Max.
- Contact Resistance: Max 50mΩ
- Insulation Resistance: Min 500MΩ, at DC 500V
- Operating Force: 1 Minute at AC 500V
- Life Cycle: 250±100gf (1 pole), 350±100gf (2pole)
- Travel: 1.1mm
- Ambient Temp. Range: -30°C ~ +85°C
- Solder Conditions: 5 sec, 270°C

MODEL	POLES	CIRCUIT		SCHEMATICS
		NORMAL	DOWN	
SP-11	SPST	OFF	(ON)	
SP-12	SPDT	ON 2-3	(ON) 1-2	



广东科斯达电子科技有限公司
 GUANG DONG KE SI DA ELECTRONIC TECHNOLOGY CO., LTD.

TOLERANCE UNLESS OTHERWISE STATED:
 Up to 5 ±0.2
 Above 5 ~ 15 ±0.3
 Above 15 ~ 30 ±0.4
 Above 30 ~ 50 ±0.5
 Angle ±0.3

3RD. ANGLE'S

UNITS MM

DRAWN BY:	DATE	MAT'L	TITLE	SWITCH
Jack Lu	12/27/22	FINISH	MODLE	SWITCH
CHECKED BY:	DATE	SCALE	DWG NO.	SP-12SB
Jacky Chen	12/27/22	1 : 1	PART NO.	
APPROVED BY:	DATE	SHEET NO.	1 of 1	
Tony Kao	12/27/22			

ITEM NO.	DESCRIPTION	DRAWN	DATE