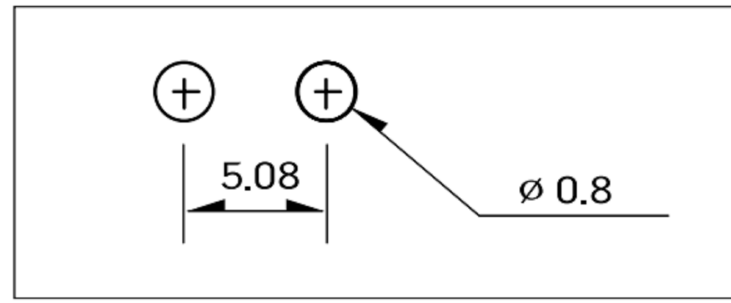


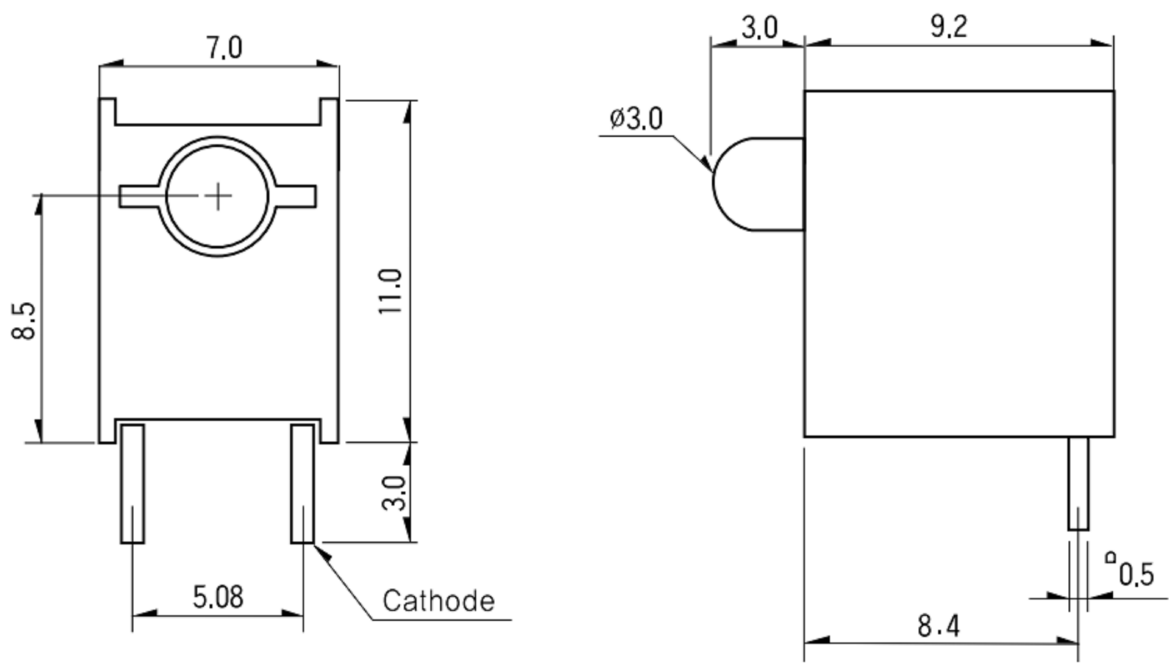
# P.C.B DIMENSION



Model	SEA-0204	SEA-0304	SEA-0404	SEA-2504	SEA-0804	SEA-0204C	SEA-0304C	SEA-0404C	SEA-3004B
LED COLOR	Green	Yellow	Red	Amber	Blue	Green Color Clear	Yellow Color Clear	Red Color Clear	Red Color Clear
LED SPEC	BL-B2141	BL-B3141	BL-B5141	BL-BA1141	BL-BB33V1	BL-B2441	BL-B3441	BL-B5441	BL-BEG271



**\* Reverse Cathode Left : SEL-0 X10G**  
**Housing Color : Gray**



Package	LED TYPE	Part No.	Chip	Emitted Color	Peak Wavelength (nm)	Lens Appearance	Absolute Maximum Ratings			Electro-optical Data(AI 20mA)			Viewing Angle 2θ 1/2° (99%)		
							ΔI (mA)	Pd (mW)	If (mA)	Peak (mcd)	Vf (V)	Iv Typ (mA)		Iv Max (mA)	
High Efficiency	01	BL-B2141K	Green	568	Green Diffused	30	100	30	150	2.2	2.6	30.0	50		
		BL-B3141K	Yellow	585	Yellow Diffused	35	100	30	150	2.1	2.6	20.0	50		
		BL-BA1141K	Amber	610	Amber Diffused	35	100	30	150	2.0	2.6	60.0	50		
		BL-B5141K	Bright Red	700	Red Diffused	90	50	15	50	2.2	2.6	10.0	50		
	Low Current	02	BL-BB41V1E	Super Blue	470	Blue Diffused	30	100	30	100	3.5	4.0	550	45	
			BL-B5141K-L	Hi-Eff Red	635	Red Diffused	45	15	7	-	1.7	2.2	4.5	50	
			BL-B2141K-L	Green	568	Green Diffused	30	16	7	-	1.9	2.3	7.0	50	
			BL-B3141K-L	Yellow	585	Yellow Diffused	35	15	7	-	1.8	2.2	3.5	50	
		Integral Resistor 5V	03	BR-B4541K-GSV	Hi-Eff Red	635	Red Diffused	-	-	8	-	5	-	15.5	-
				BR-B2141K-GSV	Green	568	Green Diffused	-	-	8	-	5	-	15.5	-
				BR-B3141K-GSV	Yellow	585	Yellow Diffused	-	-	8	-	5	-	14.0	-
				BR-B4141K-GSV	Orange	635	Orange Diffused	-	-	8	-	5	-	15.5	-
Bi-color	07	BL-BEX271E	Hi-Eff Red	635	White Diffused	45	100	30	150	2.0	2.6	25.0	45		
		BL-BYX271E	Green	568	White Diffused	30	100	30	150	2.2	2.6	30.0	45		
		BL-BYX271E	Yellow	585	White Diffused	35	100	30	150	2.1	2.6	20.0	45		
1.0" Lead Flangeless 4.8φ	01	BL-B5133N	Bright Red	700	Red Diffused	90	50	15	50	2.2	2.6	50.0	40		
		BL-B2133N	Green	568	Green Diffused	30	100	30	150	2.2	2.6	65.0	40		
		BL-B3133N	Yellow	585	Yellow Diffused	35	100	30	150	2.1	2.6	60.0	40		
		BL-B5134N	Bright Red	700	Red Diffused	90	50	15	50	2.2	2.6	13.0	45		
	T-1 3/4 1.0" Lead Flangeless 5φ	01	BL-B2134N	Green	568	Green Diffused	30	100	30	150	2.2	2.6	90.0	45	
			BL-B3134N	Yellow	585	Yellow Diffused	35	100	30	150	2.1	2.6	70.0	45	
			BL-BB41RAN	Super Blue	470	Blue Diffused	30	100	30	100	3.5	4.0	550	45	
			BL-BEG274N	Green	568	White Diffused	45	100	30	150	2.0	2.6	45.0	45	
		07	BL-BYX274N	Yellow	585	White Diffused	35	100	30	150	2.2	2.6	50.0	45	
			BL-BYX274N	Green	568	White Diffused	30	100	30	150	2.1	2.6	35.0	45	
			BL-BYX274N	Green	568	White Diffused	30	100	30	150	2.2	2.6	50.0	45	
			BL-BYX274N	Green	568	White Diffused	30	100	30	150	2.2	2.6	50.0	45	
T-1 3/4 1.0" Lead Standard 5φ	07	BL-BEG204	Hi-Eff Red	635	White Diffused	45	100	30	150	2.0	2.6	35.0	40		
		BL-BYX204	Green	568	White Diffused	30	100	30	150	2.2	2.6	45.0	40		
		BL-BYX204	Yellow	585	White Diffused	35	100	30	150	2.1	2.6	30.0	40		
2.0x5.0x7.0 1.0" Lead Rectangular	07	BL-RVT302B-R	Hi-Eff Red	635	Water Clear	45	100	30	150	2.0	2.6	4.0	80		
		BL-RVT302B-R	Green	568	Water Clear	30	100	30	150	2.2	2.6	4.5	80		

**广东科斯达电子科技有限公司**  
**GUANG DONG KE SI DA ELECTRONIC TECHNOLOGY CO., LTD.**

DRAWN BY: Jack Lu DATE: 12/27/22  
 CHECKED BY: Jacky Chen DATE: 12/27/22  
 APPROVED BY: Tony Kao DATE: 12/27/22

MATL		TITLE	SWITCH
FINISH		MODLE	SWITCH
SCALE	1 : 1	DWG NO.	SEL-0X10
SHEET NO.	1 of 1	PART NO.	

TOLERANCE UNLESS OTHERWISE STATED:  
 Up to 5 ±0.2  
 Above 5 ~ 15 ±0.3  
 Above 15 ~ 30 ±0.4  
 Above 30 ~ 50 ±0.5  
 Angle ±0.3

3RD. ANGEL'S

UNITS MM

ITEM NO.	DESCRIPTION	DRAWN	DATE