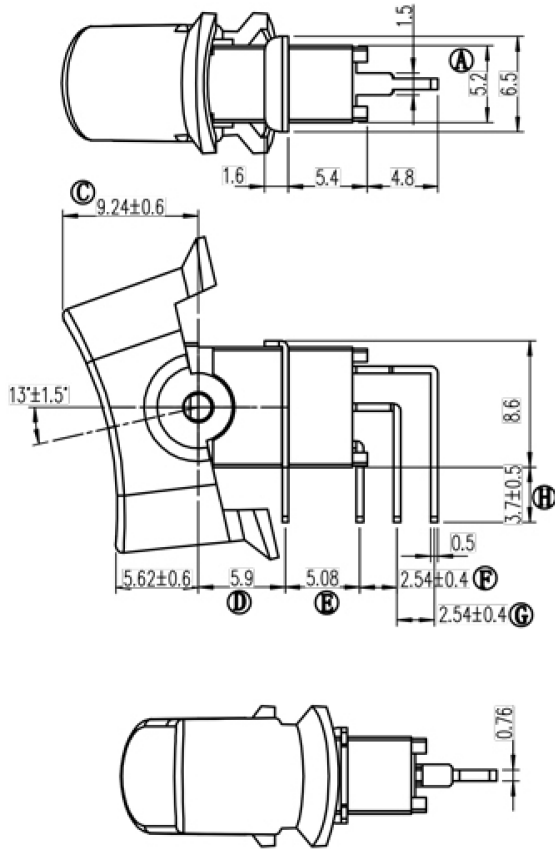


①为重点检验尺寸

RECOMMENDED PCB LAYOUT



SWITCH FUNCTION

Model NO.	POS.1	POS.2	POS.3
103	ON	OFF	ON
SCHEMATIC		OPEN	

SPECIFICATIONS:

CONTACT RATING : 5 AMPS / 120V AC or 28V DC

2 AMPS / 250V AC or 0.4VA AMPS @ 20V AC or DC

20VELECTRICAL LIFE : 50,000 make-and-break cycles at full load.

CONTACT RESISTANCE : 10 mΩ max. initial @ 2-4 VDC

100 mA , for both coin silver and gold plated contacts.

INSULATION RESISTANCE : 1,000 MΩ min

DIELECTRIC STRENGTH : 1,000 V RMS @ sea level.

OPERATING TEMPERTURE : -30°C to 130°C

MTAERIALS:

CASE : Diallyl phthalate (DAP)(UL-94V-0)

ACTUATOR : Brass,chrome plated.

BUSHING : Brass, nickel plated.

HOUSING : Stainless steel.

TERMINAL/CONTACT : Brass , witch silver or gold plated.

or gold over silver

SWITCH SUPPORT : Brass , tin plated.



TOLERANCE UNLESS OTHERWISE STATED :
 Up to 5 ±0.2
 Above 5 ~ 15 ±0.3
 Above 15 ~ 30 ±0.4
 Above 30 ~ 50 ±0.5
 Angle ±0.3°

3RD. ANGEL'S



UNITS

MM

DRAWN BY:	DATE
Frank Wu	11/04/11
CHECKED BY:	DATE
Jacky Chen	11/04/11
APPROVED BY:	DATE
Tony Kao	11/04/11

MAT'L	TITLE	SWITCH
FINISH	MODLE	TOGGLE ROCKER SWITCH
SCALE 1 : 1	DWG NO.	
SHEET NO. 1 of 1	PART NO.	

SIZE
A4
VER
A

ITEM NO.	DESCRIPTION	DRAWN	DATE