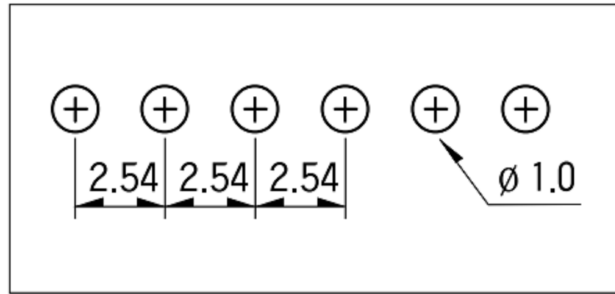


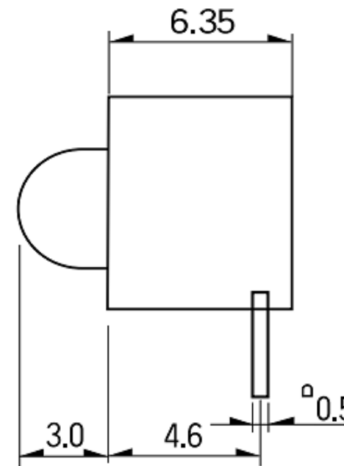
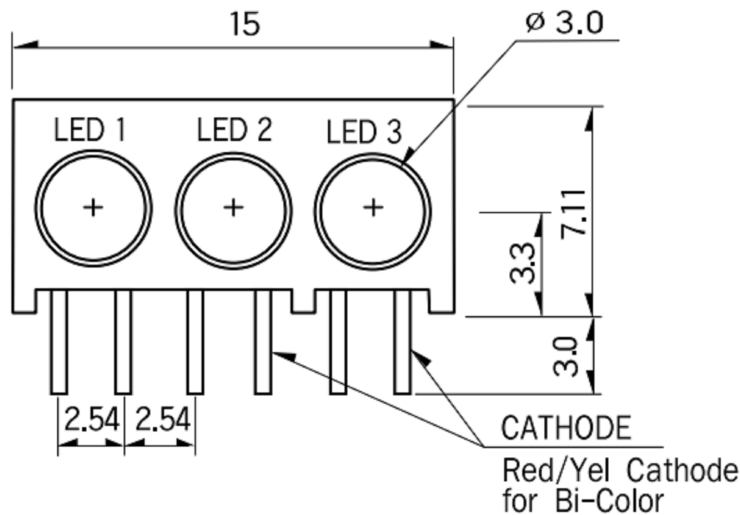
P.C.B DIMENSION



Number	0	1 (Bi-Color)	2	3	4 (Bi-Color)	8	9
Color	Blank	Red (Red/Green)	Green	Yellow	Amber (Yellow/Green)	Blue	White



* Reverse Cathode Left : SEF-01- **X X X** G
 Housing Color : Gray



Package	LED TYPE	Part No.	Chip	Emitted Color	Peak Wave Length (nm)	Lens Appearance	Absolute Maximum Ratings			Electro-optical Data@I _F 20mA			Viewing Angle (°)	
							ΔI (nm)	Pd (mW)	If (mA)	Vf(V) Typ.	Vf(V) Max.	Iv Typ. (mA)		Iv Max. (mA)
High Efficiency	01	BL-B2141K	Green	568	Green Diffused	30	100	30	150	2.2	2.6	30.0	50	
		BL-B3141K	Yellow	585	Yellow Diffused	35	100	30	150	2.1	2.6	20.0	50	
		BL-B41141K	Amber	610	Amber Diffused	35	100	30	150	2.0	2.6	60.0	50	
		BL-B5141K	Bright Red	700	Red Diffused	90	50	15	50	2.2	2.6	10.0	50	
		BL-BB41V1E	Super Blue	470	Blue Diffused	30	100	30	100	3.5	4.0	550	45	
		BL-B5141K-L	Hi-Eff Red	635	Red Diffused	45	15	7	-	1.7	2.2	4.5	50	
	Low Current	02	BL-B2141K-L	Green	568	Green Diffused	30	16	7	-	1.9	2.3	7.0	50
			BL-B3141K-L	Yellow	585	Yellow Diffused	35	15	7	-	1.8	2.2	3.5	50
			BR-B4541K-GV	Hi-Eff Red	635	Red Diffused	-	-	8	-	5	-	15.5	-
		03	BR-B2141K-GV	Green	568	Green Diffused	-	-	8	-	5	-	15.5	-
			BR-B3141K-GV	Yellow	585	Yellow Diffused	-	-	8	-	5	-	14.0	-
			BR-B4141K-GV	Orange	635	Orange Diffused	-	-	8	-	5	-	15.5	-
Bi-color	07	BL-BEX271E	Hi-Eff Red	635	White Diffused	45	100	30	150	2.0	2.6	25.0	45	
		BL-BEX271E	Green	568	White Diffused	30	100	30	150	2.2	2.6	30.0	45	
		BL-BYX271E	Yellow	585	White Diffused	35	100	30	150	2.1	2.6	20.0	45	
1.0" Lead Flangeless 4.8Ø	01	BL-B5133N	Bright Red	700	Red Diffused	90	50	15	50	2.2	2.6	50.0	40	
		BL-B2133N	Green	568	Green Diffused	30	100	30	150	2.2	2.6	65.0	40	
		BL-B3133N	Yellow	585	Yellow Diffused	35	100	30	150	2.1	2.6	60.0	40	
		BL-B5134N	Bright Red	700	Red Diffused	90	50	15	50	2.2	2.6	13.0	45	
		BL-B2134N	Green	568	Green Diffused	30	100	30	150	2.2	2.6	90.0	45	
		BL-B3134N	Yellow	585	Yellow Diffused	35	100	30	150	2.1	2.6	70.0	45	
	01	BL-BB41RAN	Super Blue	470	Blue Diffused	30	100	30	100	3.5	4.0	550	45	
		07	BL-BEG274N	Hi-Eff Red	635	White Diffused	45	100	30	150	2.0	2.6	45.0	45
			BL-BEG274N	Green	568	White Diffused	30	100	30	150	2.2	2.6	50.0	45
			BL-BY274N	Yellow	585	White Diffused	35	100	30	150	2.1	2.6	35.0	45
		07	BL-BEG274N	Green	568	White Diffused	30	100	30	150	2.2	2.6	50.0	45
			BL-BY274N	Yellow	585	White Diffused	35	100	30	150	2.1	2.6	35.0	45
BL-BY274N	Green		568	White Diffused	30	100	30	150	2.2	2.6	50.0	45		
T-1 3/4 1.0" Lead Standard 5Ø	07	BL-BEG204	Hi-Eff Red	635	White Diffused	45	100	30	150	2.0	2.6	35.0	40	
		BL-BEG204	Green	568	White Diffused	30	100	30	150	2.2	2.6	45.0	40	
		BL-BY204	Yellow	585	White Diffused	35	100	30	150	2.1	2.6	30.0	40	
2.0x5.0x7.0 1.0" Lead Rectangular	07	BL-BY204	Green	568	White Diffused	30	100	30	150	2.2	2.6	45.0	40	
		BL-RVT302B-R	Hi-Eff Red	635	Water Clear	45	100	30	150	2.0	2.6	4.0	80	
BL-RVT302B-R	Green	568	Water Clear	30	100	30	150	2.2	2.6	4.5	80			

广东科斯达电子科技有限公司
 GUANG DONG KE SI DA ELECTRONIC TECHNOLOGY CO., LTD.

TOLERANCE UNLESS OTHERWISE STATED :
 Up to 5 ±0.2
 Above 5 ~ 15 ±0.3
 Above 15 ~ 30 ±0.4
 Above 30 ~ 50 ±0.5
 Angle ±0.3

3RD. ANGEL'S



UNITS

MM

DRAWN BY: Jack Lu DATE: 12/27/22
 CHECKED BY: Jacky Chen DATE: 12/27/22
 APPROVED BY: Tony Kao DATE: 12/27/22

MAT'L		TITLE	SWITCH
FINISH		MODLE	SWITCH
SCALE	1 : 1	DWG NO.	SEF-01-XXX
SHEET NO.	1 of 1	PART NO.	

SIZE A4
 VER R

ITEM NO.	DESCRIPTION	DRAWN	DATE