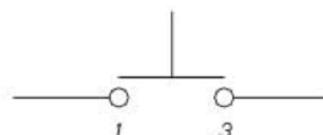
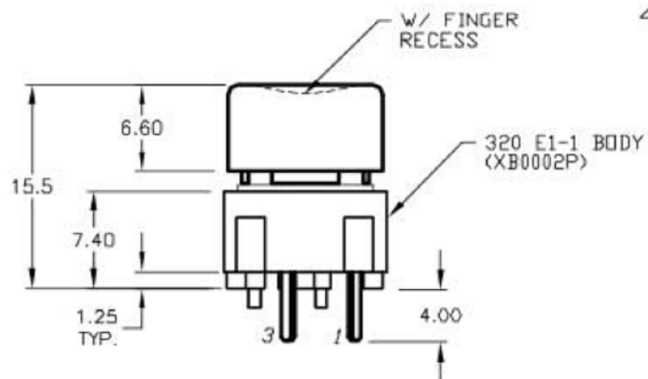


RECOMMENDED P.C.B. LAYOUT



CIRCUIT: SPST

- NOTES:
1. ALL DIMINIONS IN MM
 2. GENERAL TOLERANCE: X.X=±0.4
X.XX=±0.25
 3. TERMINAL NO'S FOR REFERENCE ONLY.
 4. RATING: 25mA, @50VDC
 5. OPERATING FORCE: 120gF
 6. TRAVEL TO MAKE: 0.7mm

广东科斯达电子科技有限公司
GUANG DONG KE SI DA ELECTRONIC TECHNOLOGY CO., LTD.

TOLERANCE UNLESS OTHERWISE STATED:

Up to 5	±0.2
Above 5 - 15	±0.3
Above 15 - 30	±0.4
Above 30 - 50	±0.5
Angle	±0.3

3RD. ANGEL'S



UNITS

MM

DRAWN BY:	DATE
Jack Lu	12/27/22
CHECKED BY:	DATE
Jacky Chen	12/27/22
APPROVED BY:	DATE
Tony Kao	12/27/22

MATL		TITLE	SWITCH
FINISH		MODLE	TACT SWITCH WITH LED
SCALE	1 : 1	DWG NO.	
SHEET NO.	1 of 1	PART NO.	

SIZE	A4
VER	R

ITEM NO.	DESCRIPTION	DRAWN	DATE