

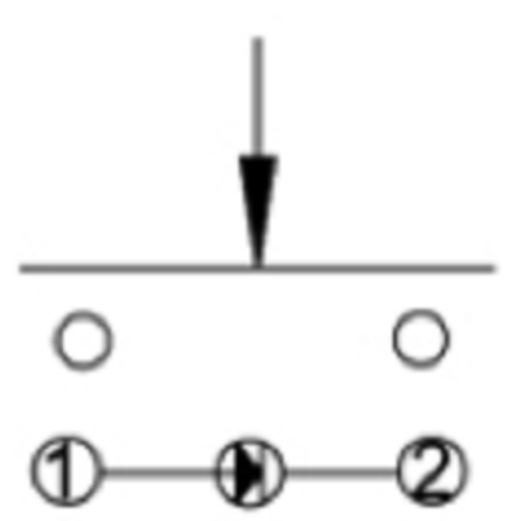
SPECIFICATIONS

Circuit :SPST
 Current rating :0.2A
 Voltage rating :250VAC
 Dielectric withstanding voltage :1000VAC for 1 minute
 Contact resistance :50mΩ Max
 Insulation resistance :100MΩ Min
 Travel :2.0mm±0.5mm
 Operating Force :500±150gf
 Mechanical Life :Over 200,000 cycles
 Electrical Life :Over 30,000 cycles
 Manual Welding :350°C for 3 seconds
 Function :Momentary
 Operating temperature :-20°C ~ +85°C
 Level of protection :IP65

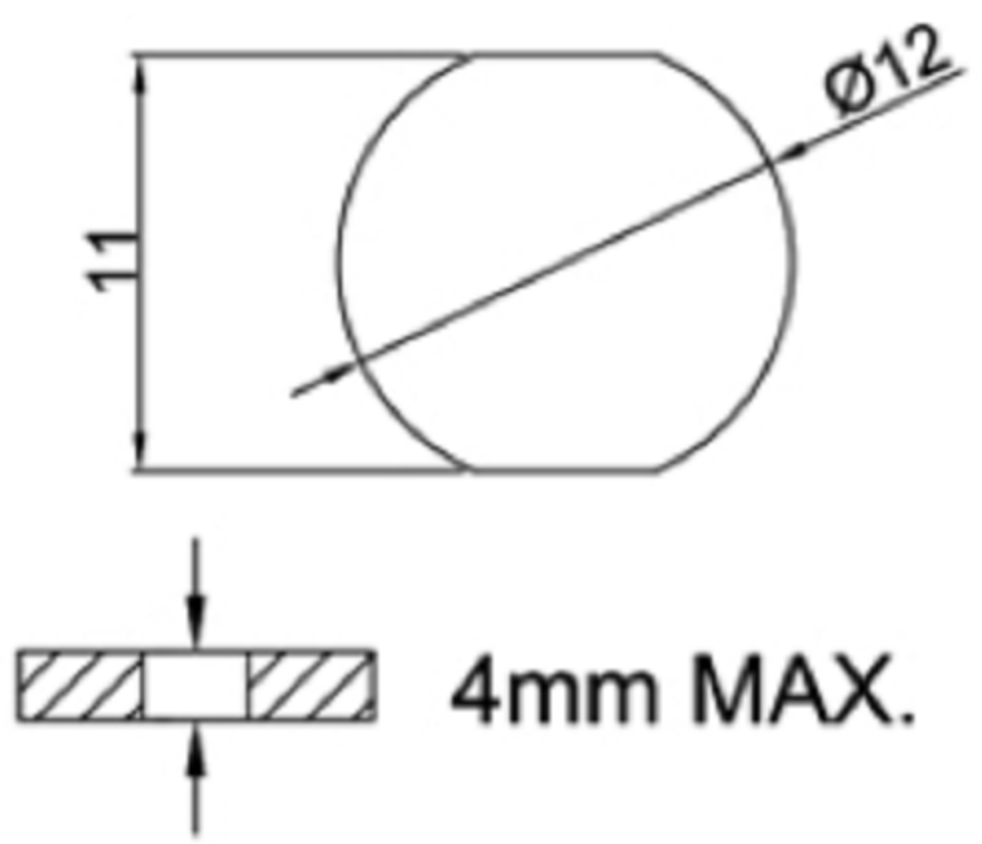
MATERIAL:

Base: PA66,UL rated:94V-2 Min;
 Cap: PA66 ;
 Terminal: Copper,Silver plated ;
 Nut: Brass, NI Plated .

Circuit Diagram



Panel Mounting



LED SPECIFICATIONS								
U(sv)	Blue 高亮蓝色	5.0	6.0	7.0	25	100		
G(sv)	Green 高亮翠绿色	5.0	6.0	7.0	25	100		
R(sv)	Red 红色	5.0	6.0	7.0	25	100		
B	Black 黑色	U	Blue 蓝色	2.9	3.0	3.4	20	100
W	White 白色	Y	Yellow 黄色	1.9	2.2	2.4	20	100
U	Blue 蓝色	G	Green 绿色	1.8	2.2	2.4	20	100
G	Green 绿色	R	Red 红色	1.9	2.2	2.4	20	100
R	Red 红色	W	White 白色	2.9	3.2	3.5	30	100
Cap Color (X)	Clip emitted color (Y)	最小	一般	最大	最大操作电流	最大脉冲电流		
上盖颜色 (X)	灯的发光颜色 (Y)	顺向电压(V)			(mA)	(mA)		

广东科斯达电子科技有限公司
 GUANG DONG KE SI DA ELECTRONIC TECHNOLOGY CO., LTD.

TOLERANCE UNLESS OTHERWISE STATED: Up to 5 ±0.2, Above 5 ~ 15 ±0.3, Above 15 ~ 30 ±0.4, Above 30 ~ 50 ±0.5, Angle ±0.3

3RD. ANGEL'S

UNITS MM

DRAWN BY:	DATE	MAT'L	TITLE	SWITCH
Jack Lu	12/27/22			
CHECKED BY:	DATE	FINISH	MODLE	TACT SWITCH WITH LED
Jacky Chen	12/27/22			
APPROVED BY:	DATE	SCALE	DWG NO.	SIZE
Tony Kao	12/27/22	1:1		A4
		SHEET NO.	PART NO.	VER
		1 of 1		R