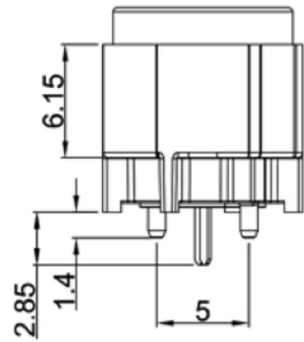
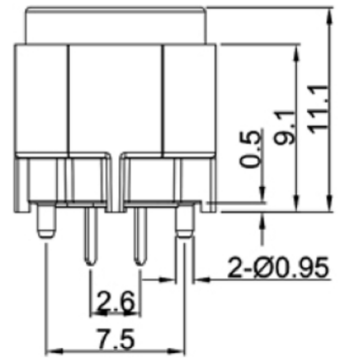


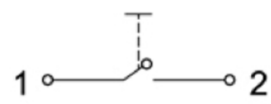
SPECIFICATIONS

Circuit :SPST
 Current rating :10mA min./100mA max.
 Voltage rating :2V DC min./30V DC max.
 Dielectric withstanding voltage :500VAC for 1 minute
 Contact resistance :50mΩ Max. (Initial)
 Insulation resistance :100MΩ Min.
 Operating force :600±100gf
 Total travel :1.5±0.4mm
 Operating life: :1,000,000 cycles Min
 Bounce time: : ≤ 1ms
 Operating speed 100 mm/s(3.94/s)
 Solder specifications :260°C for 5 seconds
 Operating temperature :- 40°C ~ + 85°C
 Protection class : IP40

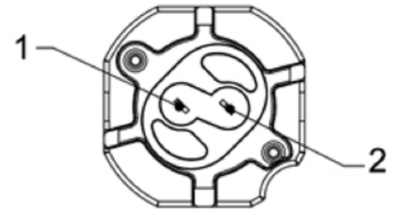
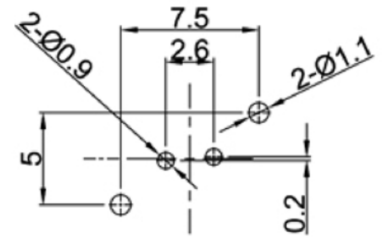


MATERIAL:
 Base : PA+GF,UL rated:94 V-2 Min;
 Cap: POM ;
 Terminal: Brass,Silver plated;

CIRCUIT



P.C.B. LAYOUT



广东科斯达电子科技有限公司
 GUANG DONG KE SI DA ELECTRONIC TECHNOLOGY CO., LTD.

DRAWN BY:	DATE	MATL	TITLE	SWITCH
Jack Lu	12/27/22			
CHECKED BY:	DATE	FINISH	MODLE	TACT SWITCH WITH LED
Jacky Chen	12/27/22			
APPROVED BY:	DATE	SCALE	DWG NO.	SIZE
Tony Kao	12/27/22	1 : 1		A4
		SHEET NO.	PART NO.	VER
		1 of 1		R

TOLERANCE UNLESS OTHERWISE STATED:
 Up to 5 ±0.2
 Above 5 ~ 15 ±0.3
 Above 15 ~ 30 ±0.4
 Above 30 ~ 50 ±0.5
 Angle ±0.3

3RD. ANGEL'S

UNITS MM

ITEM NO.	DESCRIPTION	DRAWN	DATE