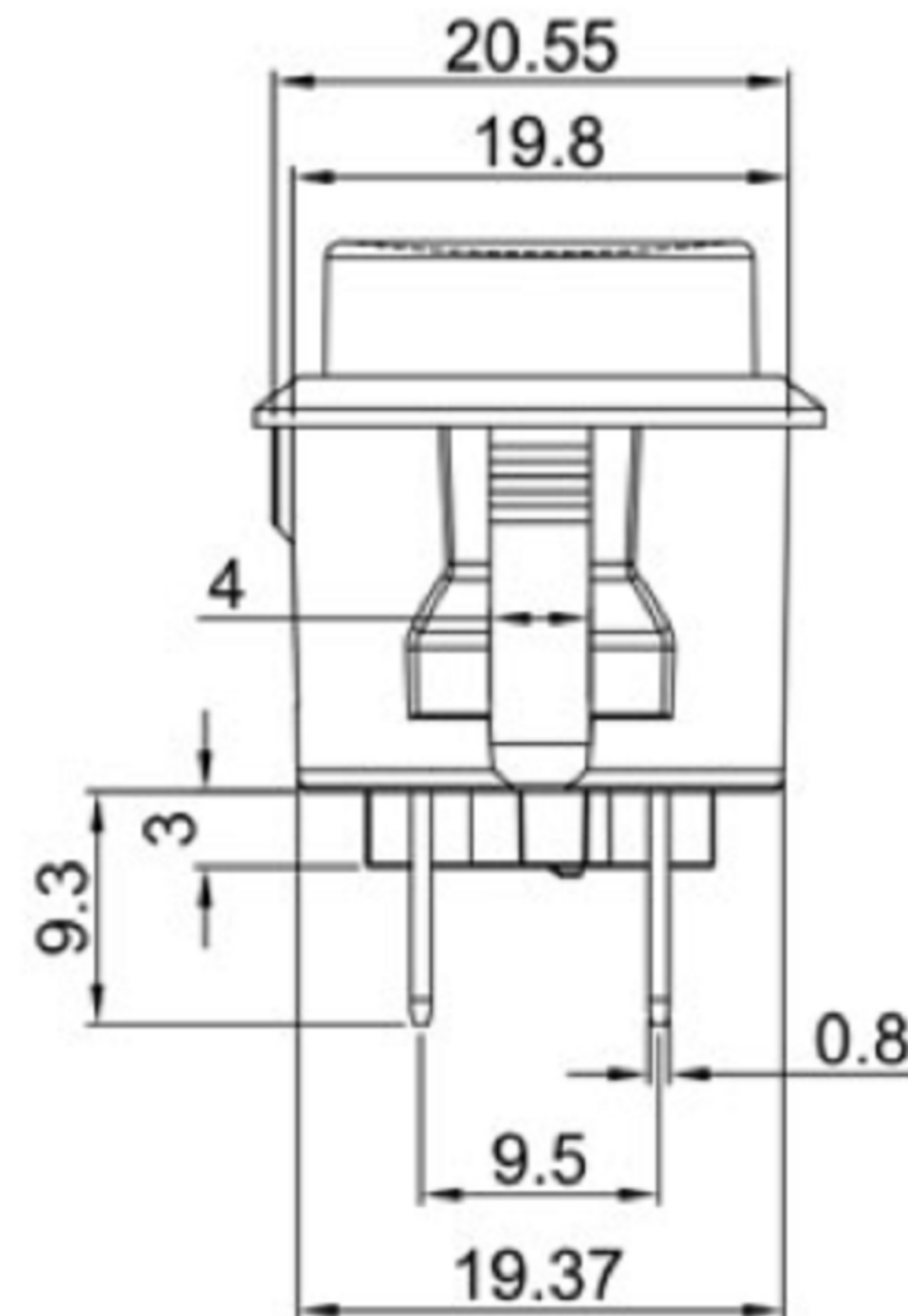
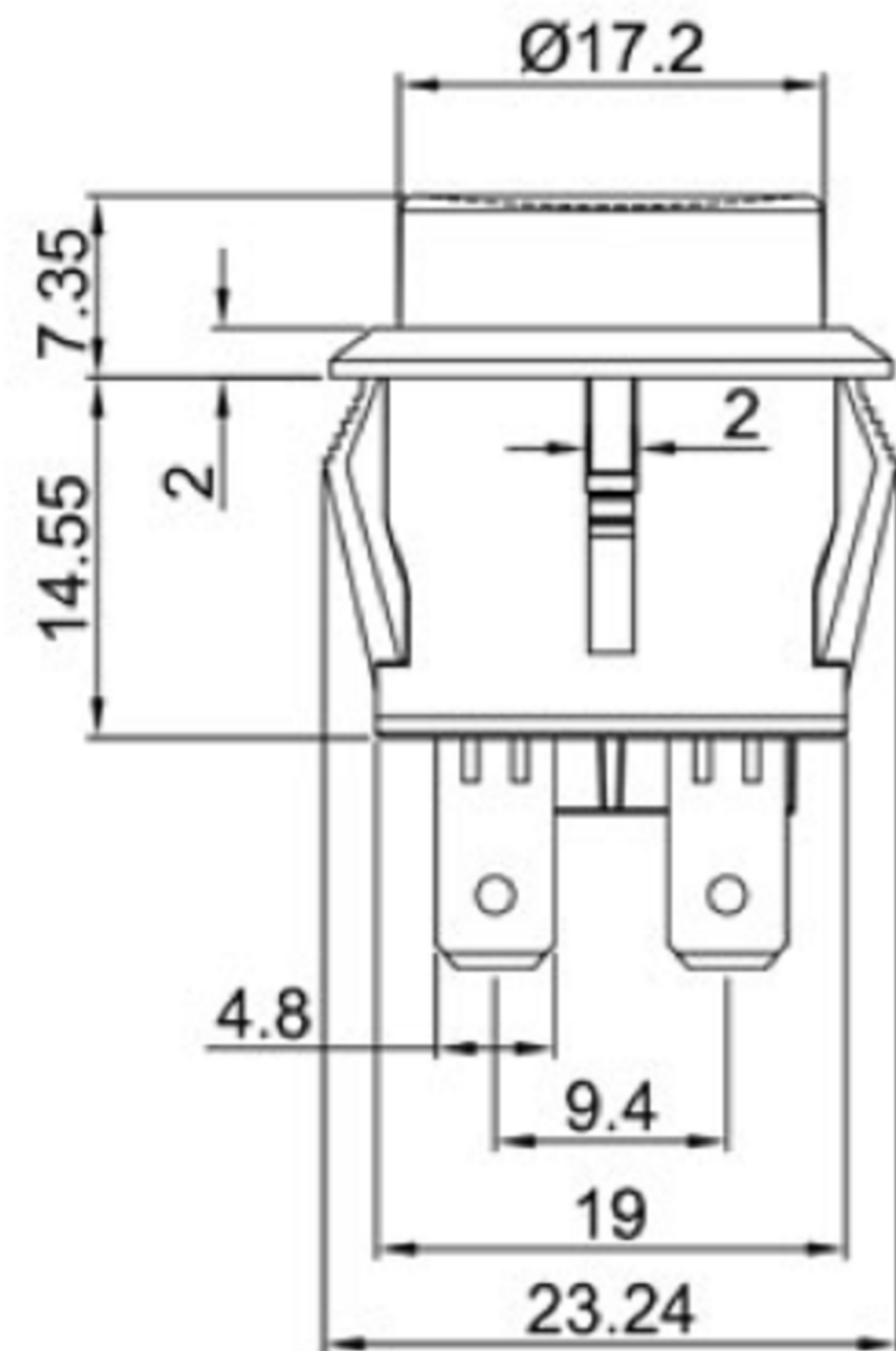
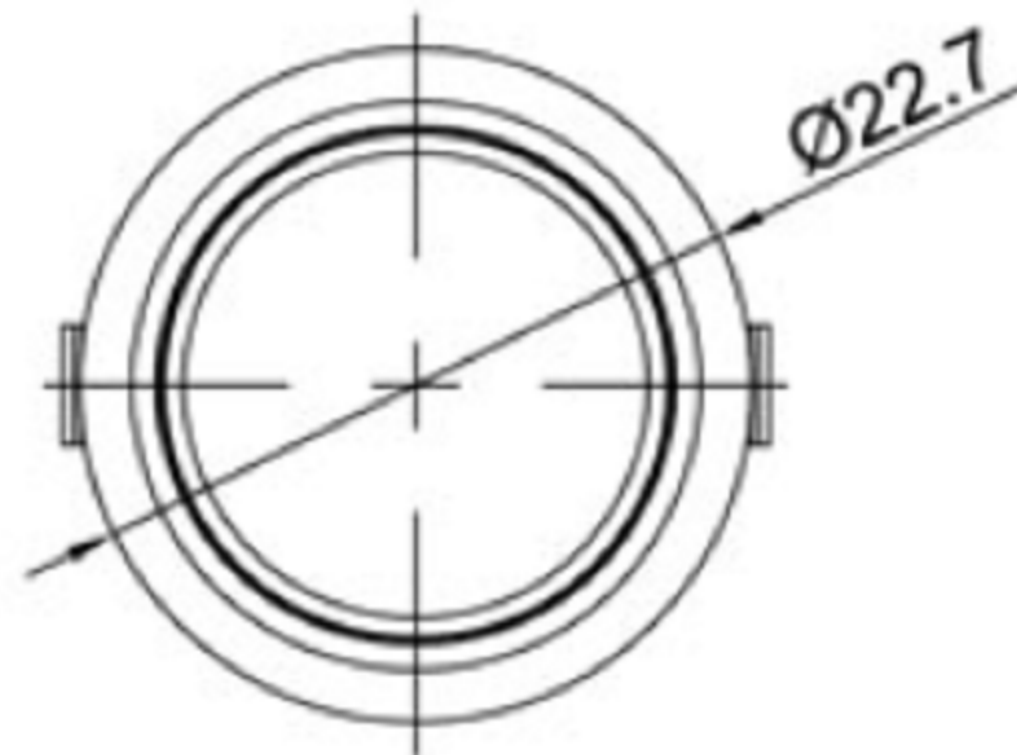


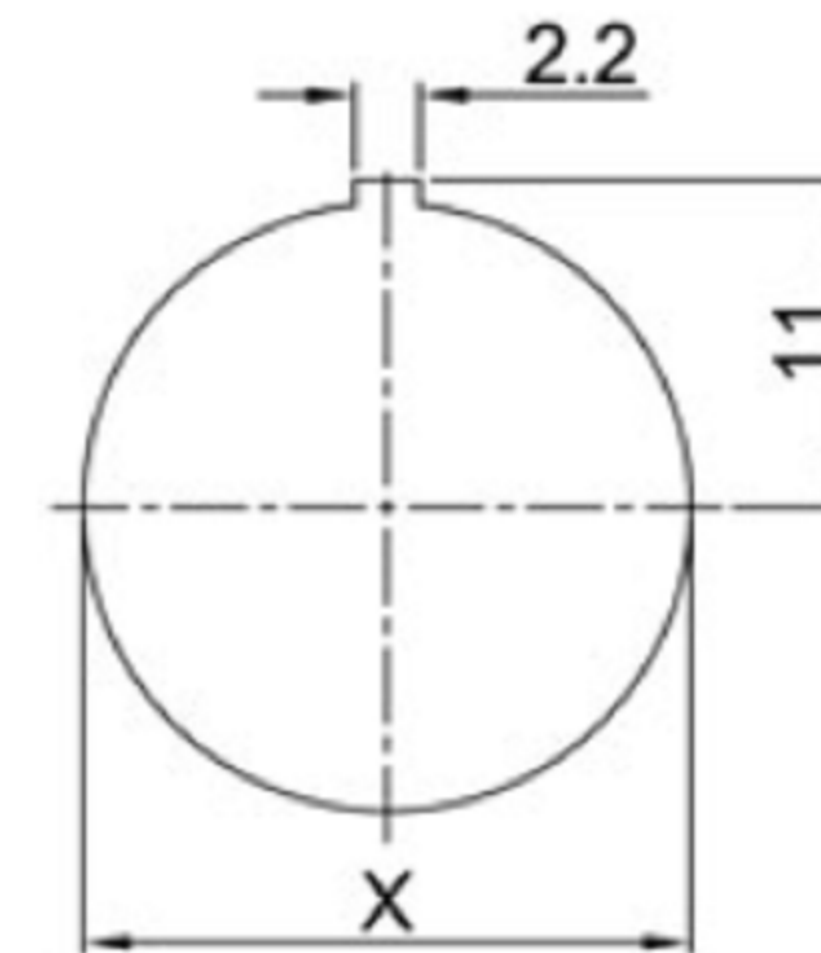


Rating: 16A 125V AC (UL CUL)  
 16A 250V AC (ENEC CQC CB)

Contact Resistance: 50mΩ Max  
 Insulation Resistance: DC 500V 100MΩ Mi  
 Dielectric Strength: AC1500V 1 minute  
 Operating Force: 500±300gf  
 Mechanical Life: Over 30,000 cycles  
 Electrical Life: Over 10,000 cycles  
 Operating Temperature: -30°C ~ +85°C  
 Safety Approval:

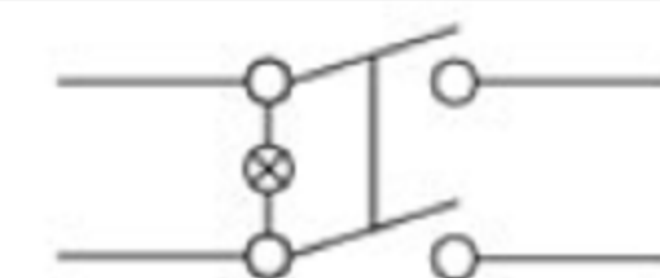


CUT-OUT



|           | X    |
|-----------|------|
| 0.75~1.25 | 20.2 |
| 1.25~2.00 | 20.4 |
| 2.00~3.00 | 20.6 |

SWITCHING CIRCUIT



**广东科斯达电子科技有限公司**  
 GUANG DONG KE SI DA ELECTRONIC TECHNOLOGY CO., LTD.

TOLERANCE UNLESS OTHERWISE STATED:  
 Up to 5 ±0.2  
 Above 5 ~ 15 ±0.3  
 Above 15 ~ 30 ±0.4  
 Above 30 ~ 50 ±0.5  
 Angle ±0.3

3RD. ANGEL'S

UNITS MM

|              |          |           |          |                      |
|--------------|----------|-----------|----------|----------------------|
| DRAWN BY:    | DATE     | MAT'L     | TITLE    | SWITCH               |
| Jack Lu      | 12/27/22 |           |          |                      |
| CHECKED BY:  | DATE     | FINISH    | MODLE    | TACT SWITCH WITH LED |
| Jacky Chen   | 12/27/22 |           |          |                      |
| APPROVED BY: | DATE     | SCALE     | DWG NO.  | SIZE                 |
| Tony Kao     | 12/27/22 | 1 : 1     |          | A4                   |
|              |          | SHEET NO. | PART NO. | VER                  |
|              |          | 1 of 1    |          | R                    |