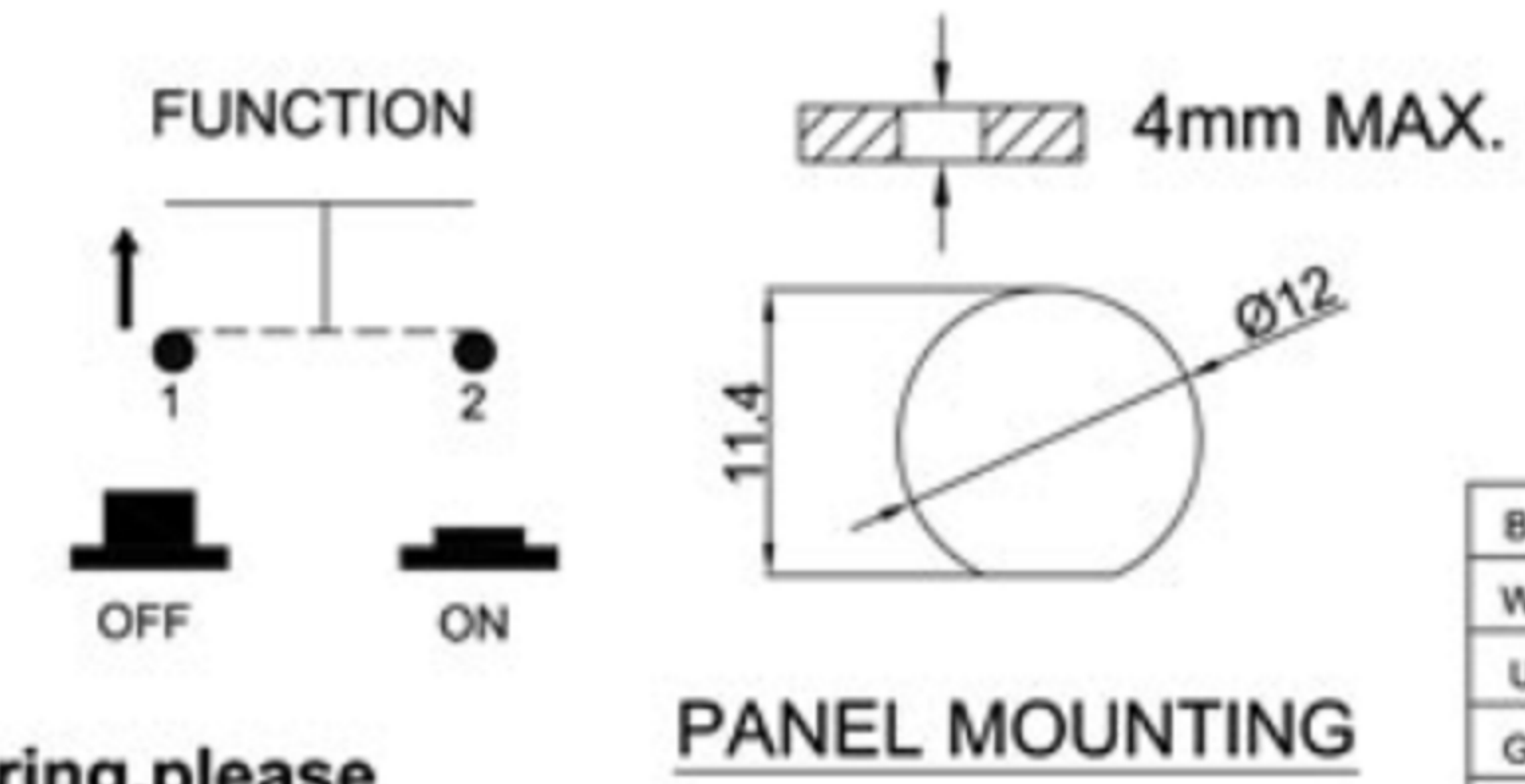


SPECIFICATIONS

Circuit :SPST
 Current rating :0.1A / 2A
 Voltage rating :24VDC/125VAC
 Dielectric withstanding voltage :1000VAC for 1 minute
 Contact resistance :50mΩ Max
 Insulation resistance :100MΩ Min
 Travel :2.5mm±0.5mm
 Operating Force :300±50gf
 Mechanical Life :Over 100,000 cycles
 Electrical Life :Over 10,000 cycles
 Manual Welding :350°C for 3 seconds
 Function :OFF-ON
 Operating temperature :-20°C ~ +85°C
 Level of Protection :IP65

MATERIAL:
 Base: PA66,UL rated:94V-2 Min;
 Cap: PA66 ;
 Terminal: Copper,Golden plated ;
 Nut: Brass, NI Plated .



		LED SPECIFICATIONS						
U(vv)	Blue蓝色	5.0	6.0	7.0	25	100		
G(vv)	Green绿色	5.0	6.0	7.0	25	100		
R(vv)	Red红色	5.0	6.0	7.0	25	100		
B	Black黑色	U	Blue蓝色	2.9	3.0	3.4	20	100
W	White白色	Y	Yellow黄色	1.9	2.2	2.4	20	100
U	Blue蓝色	G	Green绿色	1.8	2.2	2.4	20	100
G	Green绿色	R	Red红色	1.9	2.2	2.4	20	100
R	Red红色	W	White白色	2.9	3.2	3.5	30	100
Cap Color (X)	Clip emitted color (Y)	最小	一般	最大	最大操作电流 (mA)	最大脉冲电流 (mA)		
上盖颜色 (X)	灯的发光颜色 (Y)	顺向电压(V)						

Note:
 This product is strictly prohibited wave soldering and reflow soldering, please use the manual welding processing, temperature of 350±5° and time is 3±0.5 seconds;

广东科斯达电子科技有限公司
 GUANG DONG KE SI DA ELECTRONIC TECHNOLOGY CO., LTD.

TOLERANCE UNLESS OTHERWISE STATED :
 Up to 5 ±0.2
 Above 5 ~ 15 ±0.3
 Above 15 ~ 30 ±0.4
 Above 30 ~ 50 ±0.5
 Angle ±0.3

3RD. ANGEL'S

UNITS MM

DRAWN BY:	DATE	MAT'L	TITLE	SWITCH
Jack Lu	12/27/22			
CHECKED BY:	DATE	FINISH	MODLE	TACT SWITCH WITH LED
Jacky Chen	12/27/22			
APPROVED BY:	DATE	SCALE	DWG NO.	SIZE
Tony Kao	12/27/22	1 : 1		A4
		SHEET NO.	PART NO.	VER
		1 of 1		R