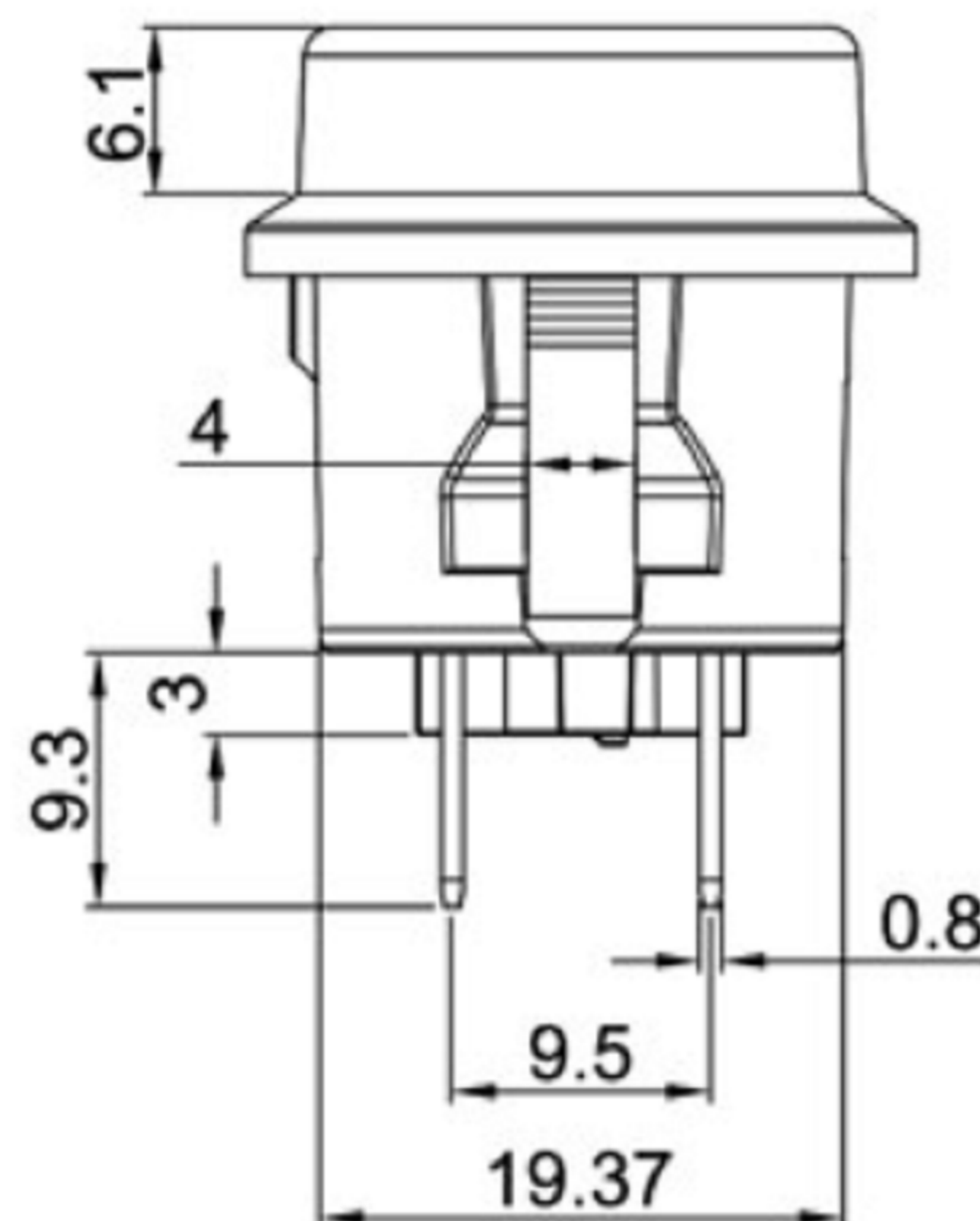
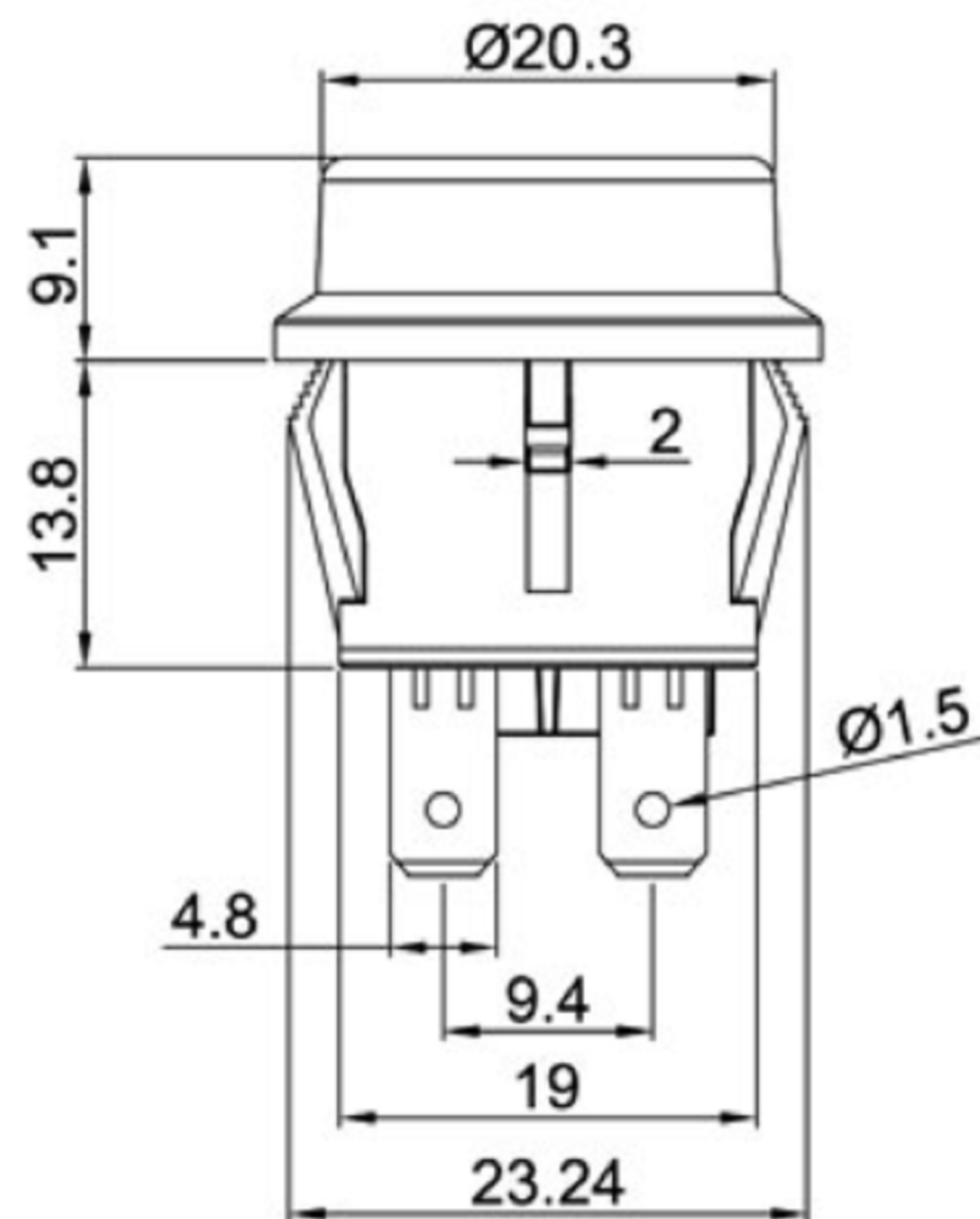
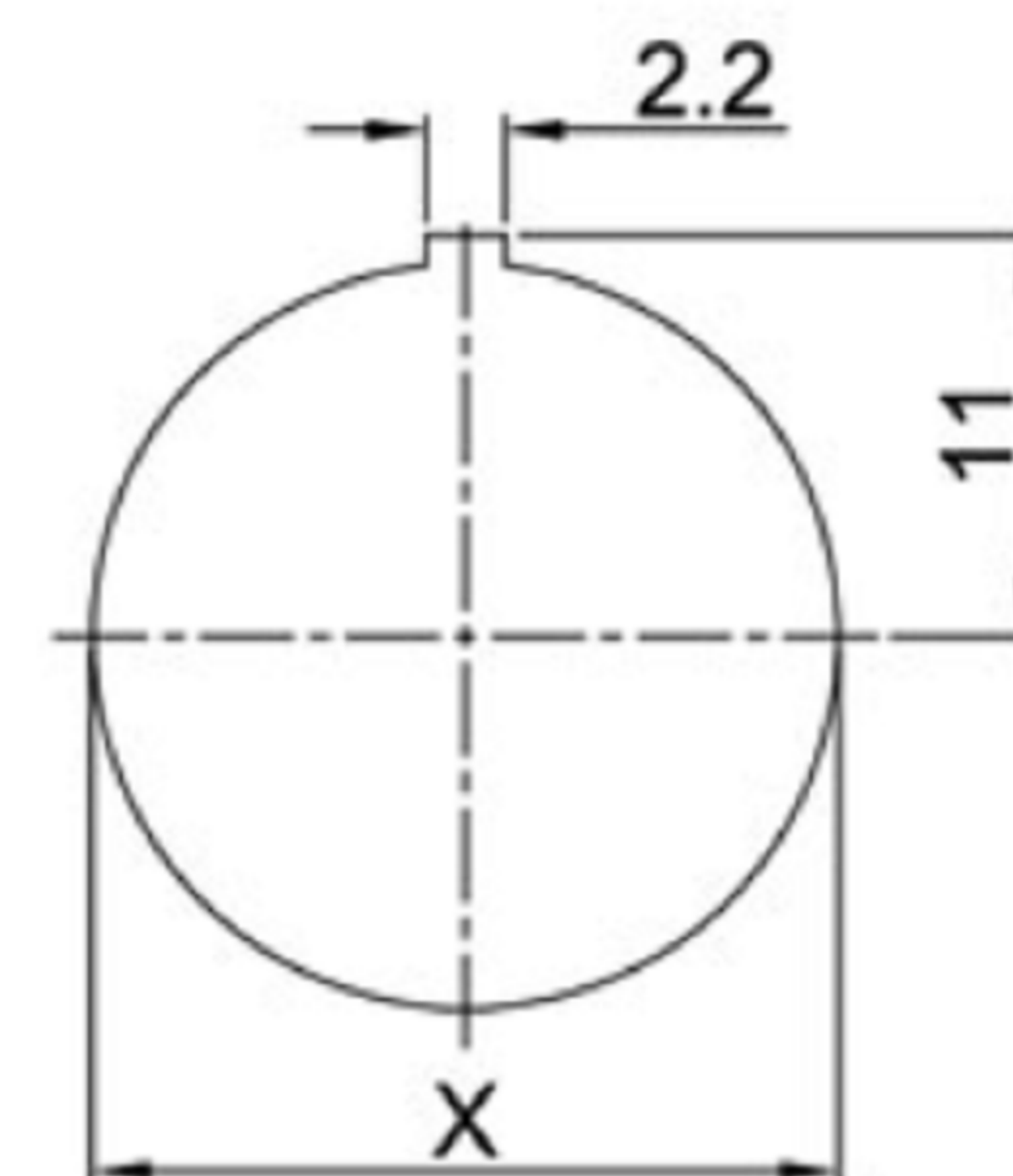


Rating: 16A 125V AC (UL CUL)  
16A 250V AC (ENEC CQC CB)

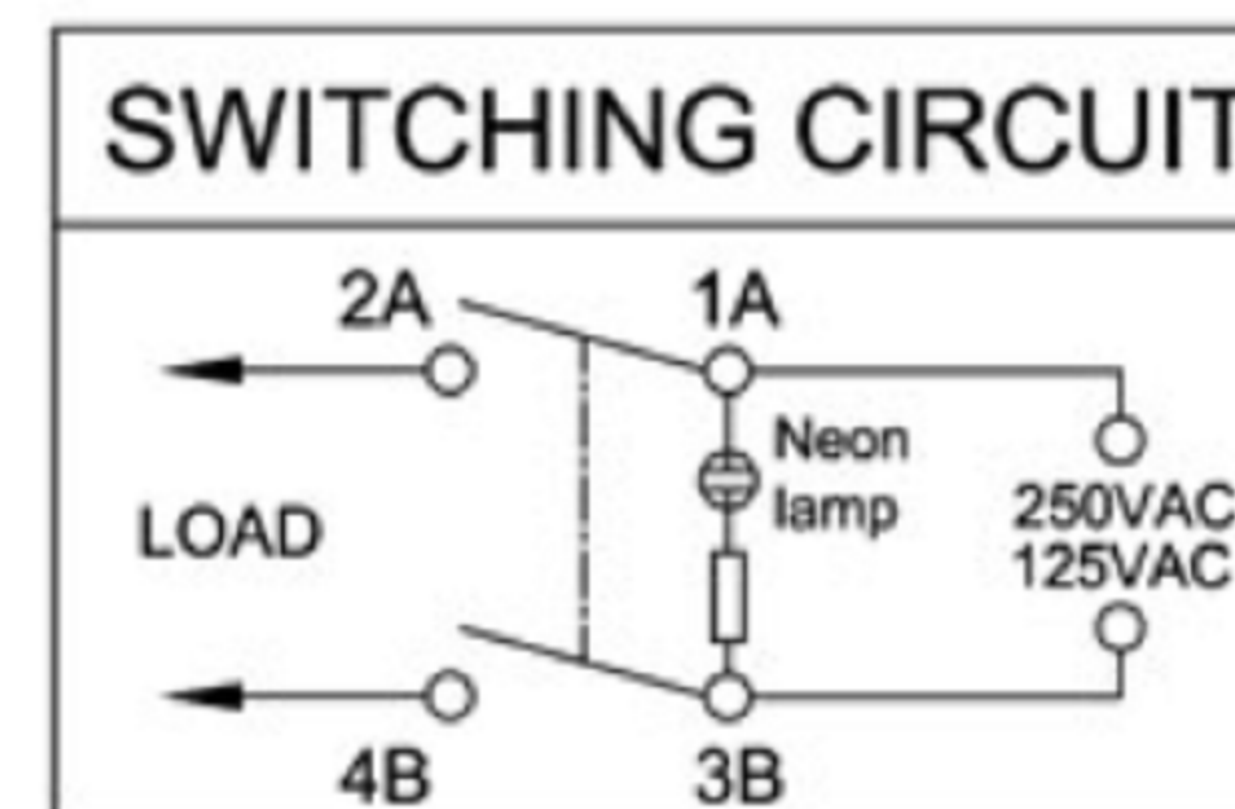
Contact Resistance: 50mΩ Max  
Insulation Resistance: DC 500V 100MΩ Min.  
Dielectric Strength: AC1500V 1 minute  
Operating Force: 500±300gf  
Mechanical Life: Over 30,000 cycles  
Electrical Life: Over 10,000 cycles  
Operating Temperature: -30°C ~ +85°C  
Safety Approval: cULus CQC 05 KEMA  
Function: OFF-ON



### CUT-OUT



	X
0.75~1.25	20.2
1.25~2.00	20.4
2.00~3.00	20.6



**广东科斯达电子科技有限公司**  
GUANG DONG KE SI DA ELECTRONIC TECHNOLOGY CO., LTD.

TOLERANCE UNLESS OTHERWISE STATED:  
Up to 5 ±0.2  
Above 5 ~ 15 ±0.3  
Above 15 ~ 30 ±0.4  
Above 30 ~ 50 ±0.5  
Angle ±0.3

3RD. ANGEL'S

UNITS MM

DRAWN BY:	DATE	MAT'L	TITLE	SWITCH
Jack Lu	12/27/22		MODLE	TACT SWITCH WITH LED
CHECKED BY:	DATE	FINISH	DWG NO.	
Jacky Chen	12/27/22		PART NO.	
APPROVED BY:	DATE	SCALE	1 : 1	
Tony Kao	12/27/22	SHEET NO.	1 of 1	

ITEM NO.	DESCRIPTION	DRAWN	DATE

SIZE  
A4  
VER  
R