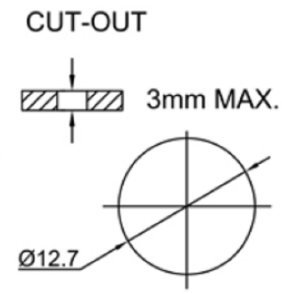
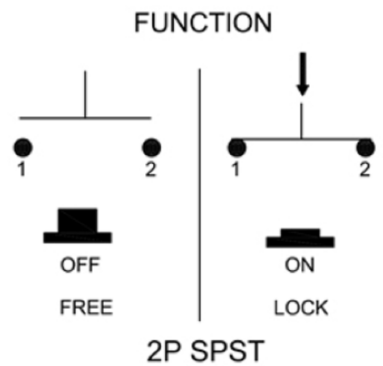
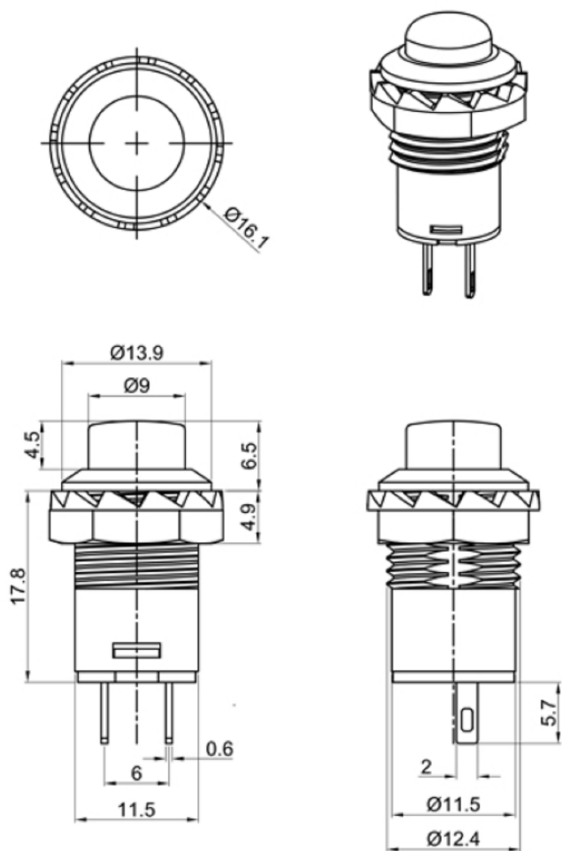




Rating: 3A 125V AC  
 1.5A 250V AC  
 Contact Resistance: 20mΩ Max  
 Insulation Resistance: DC 500V 100MΩ Min  
 Dielectric Strength: AC 1000V 1minute  
 Operating Force: 450±100g  
 Travel: 3.0±0.5mm  
 Mechanical Life: Over 30,000 cycles  
 Electrical Life: Over 10,000 cycles  
 Operating Temperature: -20℃ ~ +85℃  
 Soldering Temperature: 256℃ for 5 Seconds  
 Function: OFF-ON  
 Welding method: Manual Soldering (350° C ± 5° C, 3s ± 0.5s)



W	白色
B	黑色
G	绿色
Y	黄色
R	红色
上盖颜色 X	
Cap color X	

**广东科斯达电子科技有限公司**  
 GUANG DONG KE SI DA ELECTRONIC TECHNOLOGY CO., LTD.

TOLERANCE UNLESS OTHERWISE STATED:  
 Up to 5 ±0.2  
 Above 5 - 15 ±0.3  
 Above 15 - 30 ±0.4  
 Above 30 - 50 ±0.5  
 Angle ±0.3

3RD. ANGEL'S  
 UNITS MM

DRAWN BY:	DATE	MATL	TITLE	SWITCH
Jack Lu	12/27/22			
CHECKED BY:	DATE	FINISH	MODLE	TACT SWITCH WITH LED
Jacky Chen	12/27/22			
APPROVED BY:	DATE	SCALE	DWG NO.	SIZE
Tony Kao	12/27/22	1 : 1		A4
		SHEET NO.	PART NO.	VER
		1 of 1		R

ITEM NO.	DESCRIPTION	DRAWN	DATE