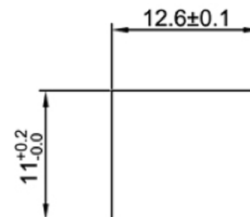
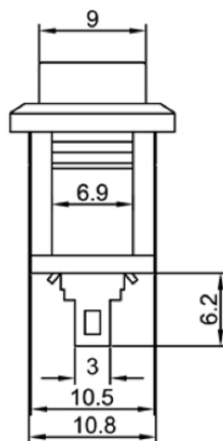
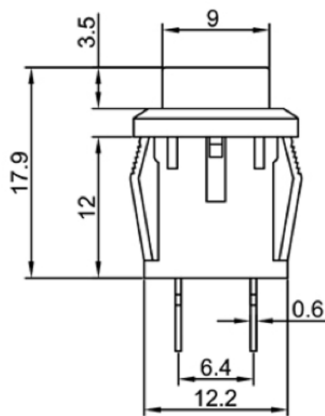


Rating : 3A 125V AC ;  
 : 1.5A 250V AC ;  
 Contact Resistance : 20mΩ Max. ;  
 Insulation Resistance : DC 500V 100MΩ Min. ;  
 Dielectric Strength : AC 1000V 1 minute  
 Total Travel : 2.5±0.4mm  
 Operating Force : 300±100gf  
 Mechanical Life : Over 30,000 cycles  
 Electrical Life : Over 10,000 cycles  
 Operating Temperature: -20°C~85°C  
 Soldering Temperature: 256°C for 5 Seconds  
 Function : OFF-(ON)  
 Welding method : Manual Soldering  
 (350° C±5° C,3s±0.5s)



CUT-OUT



Panel Thickness: 3mm MAX.

Y	Yellow	黄色
W	White	白色
U	Blue	蓝色
R	Red	红色
G	Green	绿色
B	Black	黑色
A	Gray	灰色
CAP COLOR (X)		


**广东科斯达电子科技有限公司**  
 GUANG DONG KE SI DA ELECTRONIC TECHNOLOGY CO., LTD.

TOLERANCE UNLESS OTHERWISE STATED :  
 Up to 5 ±0.2  
 Above 5 ~ 15 ±0.3  
 Above 15 ~ 30 ±0.4  
 Above 30 ~ 50 ±0.5  
 Angle ±0.3

3RD. ANGEL'S



UNITS

MM

DRAWN BY: Jack Lu  
 CHECKED BY: Jacky Chen  
 APPROVED BY: Tony Kao  
 DATE: 12/27/22

MAT'L  
 FINISH  
 SCALE: 1 : 1  
 SHEET NO.: 1 of 1  
 TITLE: SWITCH  
 MODLE: TACT SWITCH WITH LED  
 DWG NO.  
 PART NO.

SIZE: A4  
 VER: R

ITEM NO. DESCRIPTION DRAWN DATE