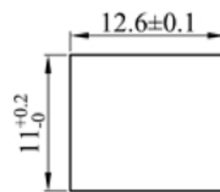
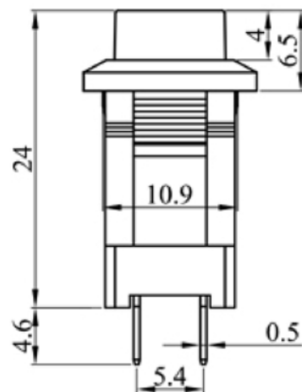
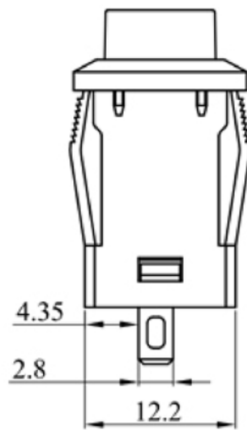
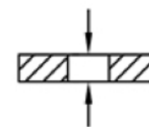


Rating: 3A 125VAC  
 1.5A 250VAC  
 Contact Resistance: 20mΩ Max.  
 Insulation Resistance: DC 500V 100MΩ Min.  
 Dielectric Strength: AC 1000V 1 minute  
 Total travel: 3±0.4mm  
 Operating Force: 450±100gf  
 Electrical Life: 30,000 cycles  
 Mechanical Life: 10,000 cycles  
 Operating Temperature: -20°C~85°C  
 Soldering Temperature: 256°C for 5 Seconds  
 Function : OFF-ON  
 Welding method : Manual Soldering  
 (350° C±5° C, 3s±0.5s)



**CUT-OUT**



Panel Thickness: 3mm MAX.


**广东科斯达电子科技有限公司**  
 GUANG DONG KE SI DA ELECTRONIC TECHNOLOGY CO., LTD.

TOLERANCE UNLESS OTHERWISE STATED:  
 Up to 5 ±0.2  
 Above 5 ~ 15 ±0.3  
 Above 15 ~ 30 ±0.4  
 Above 30 ~ 50 ±0.5  
 Angle ±0.3

3RD. ANGEL'S



UNITS

MM

DRAWN BY:	DATE	MATL	TITLE	SWITCH
Jack Lu	12/27/22			
CHECKED BY:	DATE	FINISH	MODLE	TACT SWITCH WITH LED
Jacky Chen	12/27/22			
APPROVED BY:	DATE	SCALE	DWG NO.	SIZE
Tony Kao	12/27/22	1 : 1		A4
		SHEET NO.	PART NO.	VER
		1 of 1		R

ITEM NO.	DESCRIPTION	DRAWN	DATE