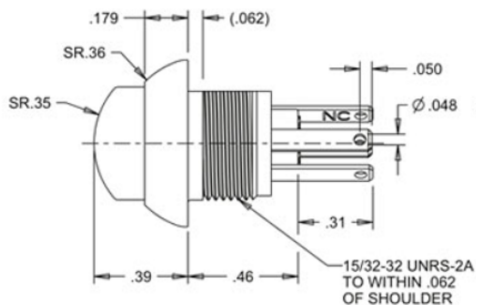
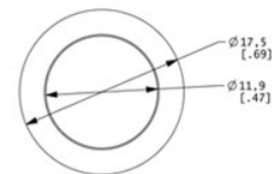
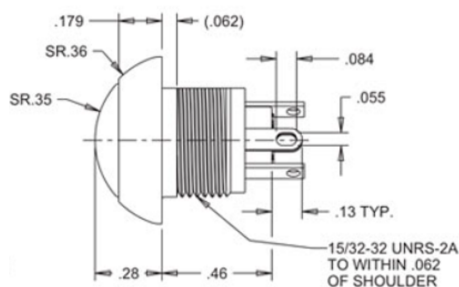


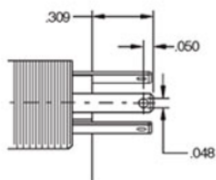
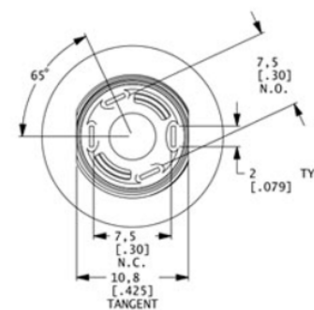
SCALE 3:1



Raised Dome Button Style



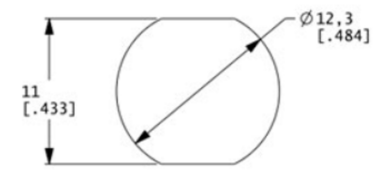
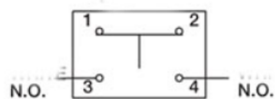
Flush Dome Button Style



0.110" Quick Connect Detail

SPST NO - Double Break

ELECTRICAL SCHEMATIC



PANEL CUTOUT

 **广东科斯达电子科技有限公司**
GUANG DONG KE SI DA ELECTRONIC TECHNOLOGY CO., LTD.

TOLERANCE UNLESS OTHERWISE STATED:
Up to 5 ±0.2
Above 5 ~ 15 ±0.3
Above 15 ~ 30 ±0.4
Above 30 ~ 50 ±0.5
Angle ±0.3

3RD. ANGEL'S



UNITS

MM

DRAWN BY: Jack Lu
CHECKED BY: Jacky Chen
APPROVED BY: Tony Kao
DATE: 12/27/22
DATE: 12/27/22
DATE: 12/27/22

MAT'L
FINISH
SCALE: 1 : 1
SHEET NO.: 1 of 1
TITLE: SWITCH
MODLE: TACT SWITCH WITH LED
DWG NO.
PART NO.

SIZE: A4
VER: R

ITEM NO. DESCRIPTION DRAWN DATE