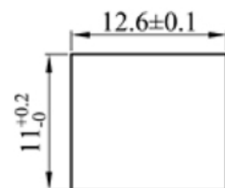
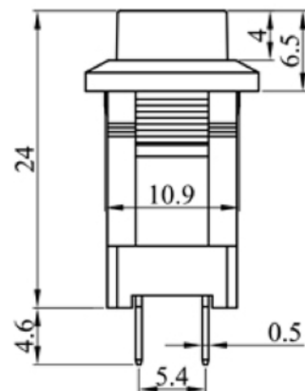
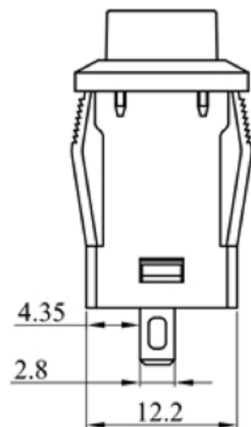
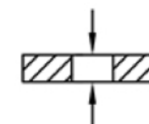


Rating: 3A 125VAC
1.5A 250VAC

Contact Resistance: 20mΩ Max.
Insulation Resistance: DC 500V 100MΩ Min.
Dielectric Strength: AC 1000V 1 minute
Total travel: 3±0.4mm
Operating Force: 450±100gf
Electrical Life: 30,000 cycles
Mechanical Life: 10,000 cycles
Operating Temperature: -20°C~85°C
Soldering Temperature: 256°C for 5 Seconds
Function : OFF-ON
Welding method : Manual Soldering
(350° C±5° C, 3s±0.5s)



CUT-OUT



Panel Thickness: 3mm MAX.

 **广东科斯达电子科技有限公司**
GUANG DONG KE SI DA ELECTRONIC TECHNOLOGY CO., LTD.

TOLERANCE UNLESS OTHERWISE STATED:
Up to 5 ±0.2
Above 5 ~ 15 ±0.3
Above 15 ~ 30 ±0.4
Above 30 ~ 50 ±0.5
Angle ±0.3

3RD. ANGEL'S



UNITS

MM

DRAWN BY:	DATE	MATL	TITLE	SWITCH
Jack Lu	12/27/22			
CHECKED BY:	DATE	FINISH	MODLE	TACT SWITCH WITH LED
Jacky Chen	12/27/22			
APPROVED BY:	DATE	SCALE	DWG NO.	SIZE
Tony Kao	12/27/22	1 : 1		A4
		SHEET NO.	PART NO.	VER
		1 of 1		R

ITEM NO.	DESCRIPTION	DRAWN	DATE