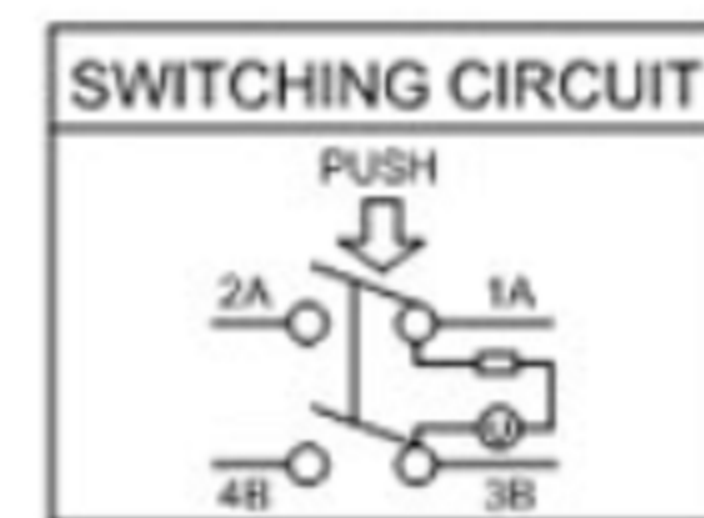
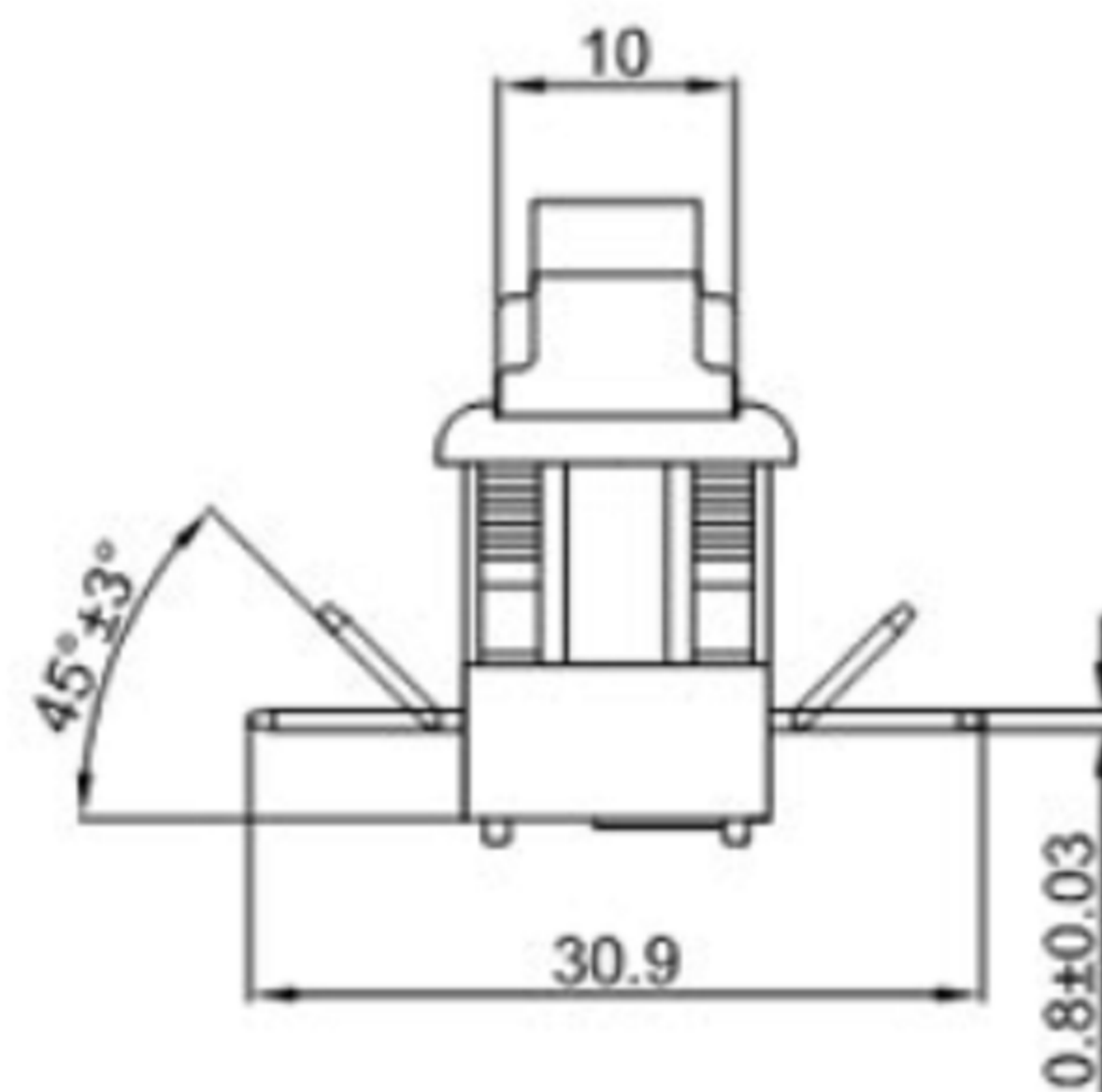
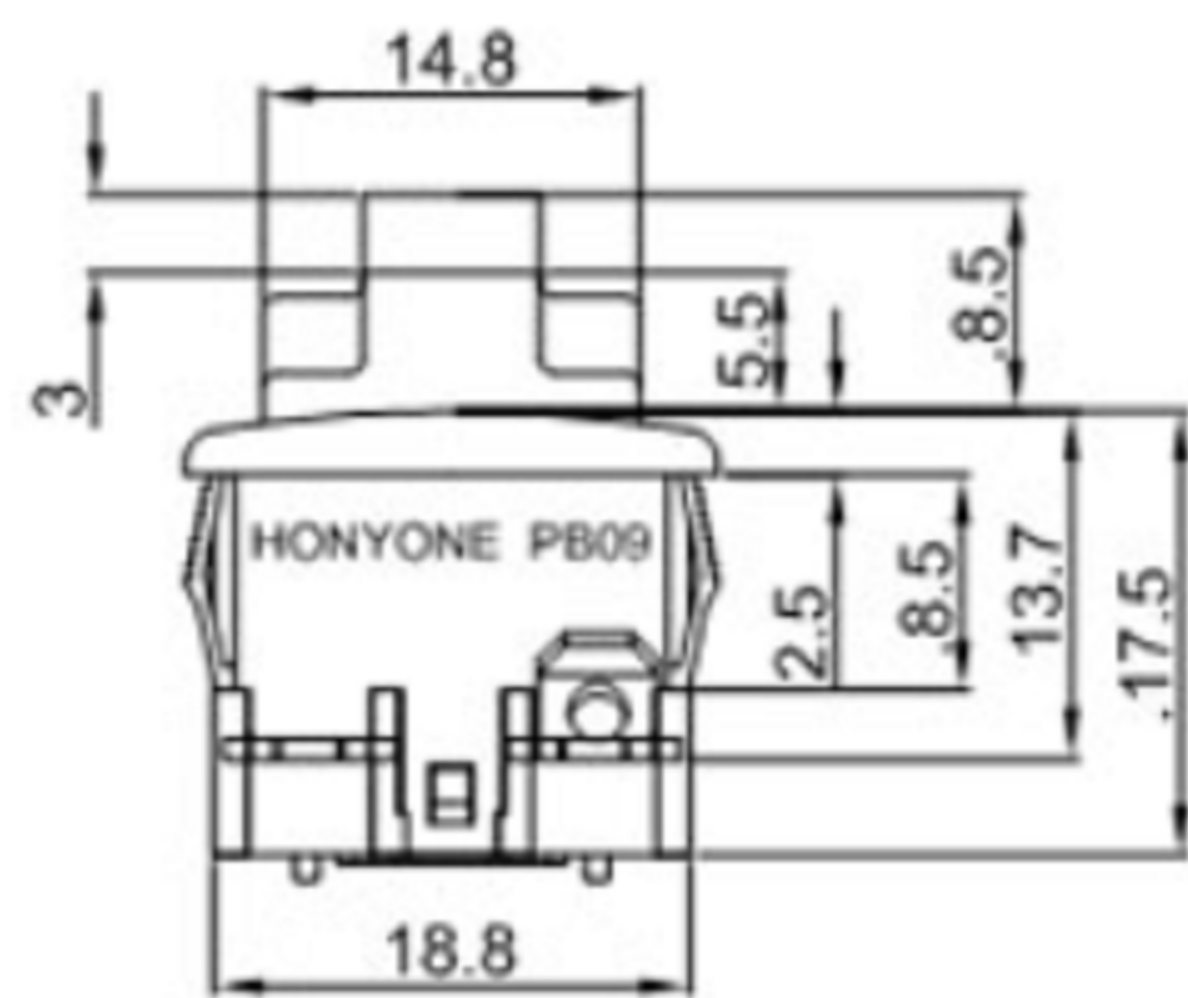
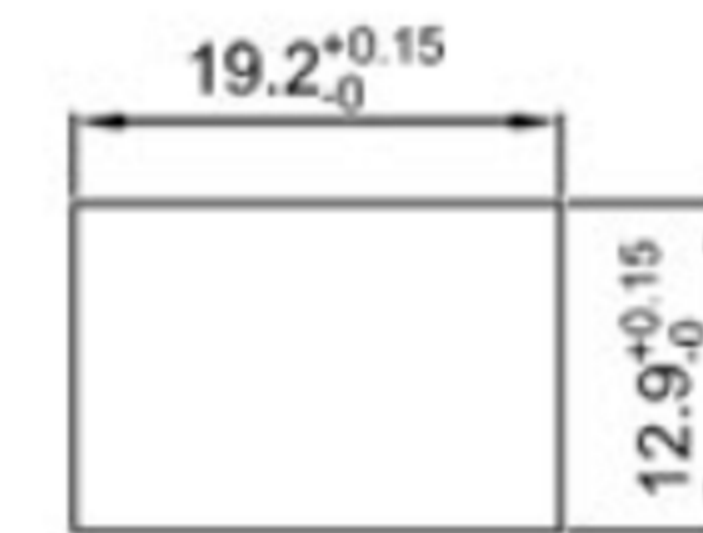


Rating: 16A 125VAC (CUL);
 16A 250VAC (CUL);
 16(4)A 125VAC T125/55(VDE,ENEC);
 Contact Resistance: 50mΩ Max. ;
 Insulation Resistance: DC 500V 100MΩ Min. ;
 Dielectric Strength: AC 1500V 1 minute
 Total Travel: 5.0±0.5mm
 Operating Force: 700±200gf
 Mechanical Life: Over 30,000 cycles
 Electrical Life: Over 10,000 cycles
 Operating Temperature: -20°C~70°C
 Safety Approval:
 Min. Silver Thickness Of Contact :0.5MM



PANEL CUT-OUT



广东科斯达电子科技有限公司
 GUANG DONG KE SI DA ELECTRONIC TECHNOLOGY CO., LTD.

TOLERANCE UNLESS OTHERWISE STATED :
 Up to 5 ±0.2
 Above 5 ~ 15 ±0.3
 Above 15 ~ 30 ±0.4
 Above 30 ~ 50 ±0.5
 Angle ±0.3
 3RD. ANGEL'S

 UNITS MM

DRAWN BY:	DATE	MAT'L	TITLE	SWITCH
Jack Lu	12/27/22			
CHECKED BY:	DATE	FINISH	MODLE	TACT SWITCH WITH LED
Jacky Chen	12/27/22			
APPROVED BY:	DATE	SCALE	DWG NO.	SIZE
Tony Kao	12/27/22	1 : 1		A4
		SHEET NO.	PART NO.	VER
		1 of 1		R