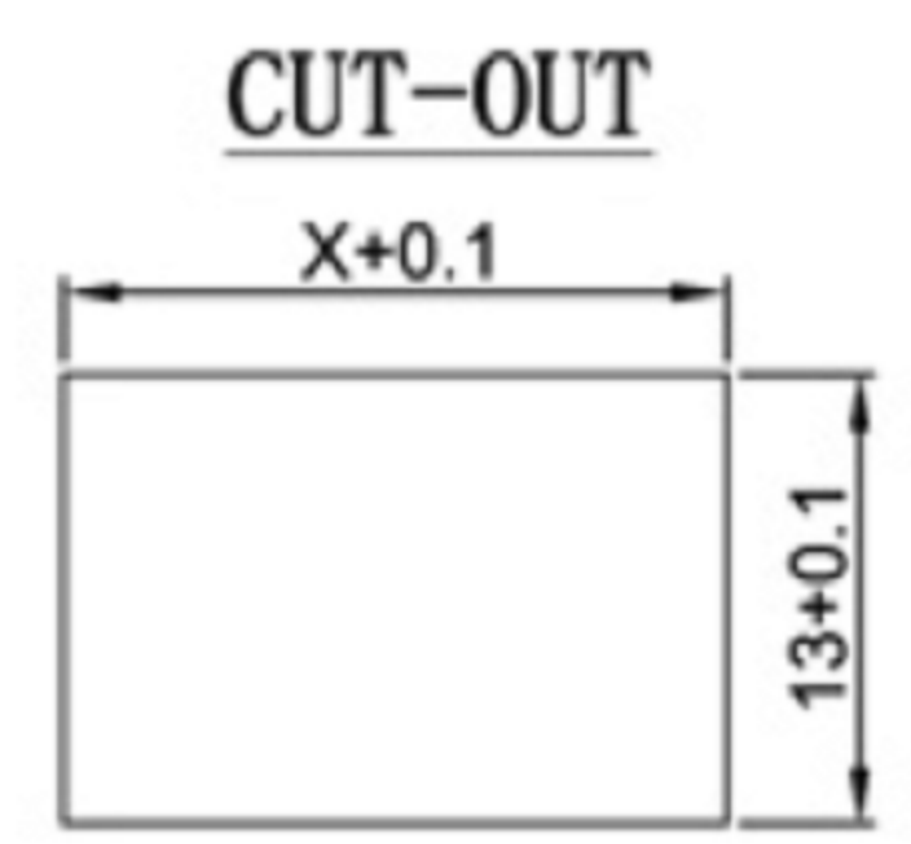
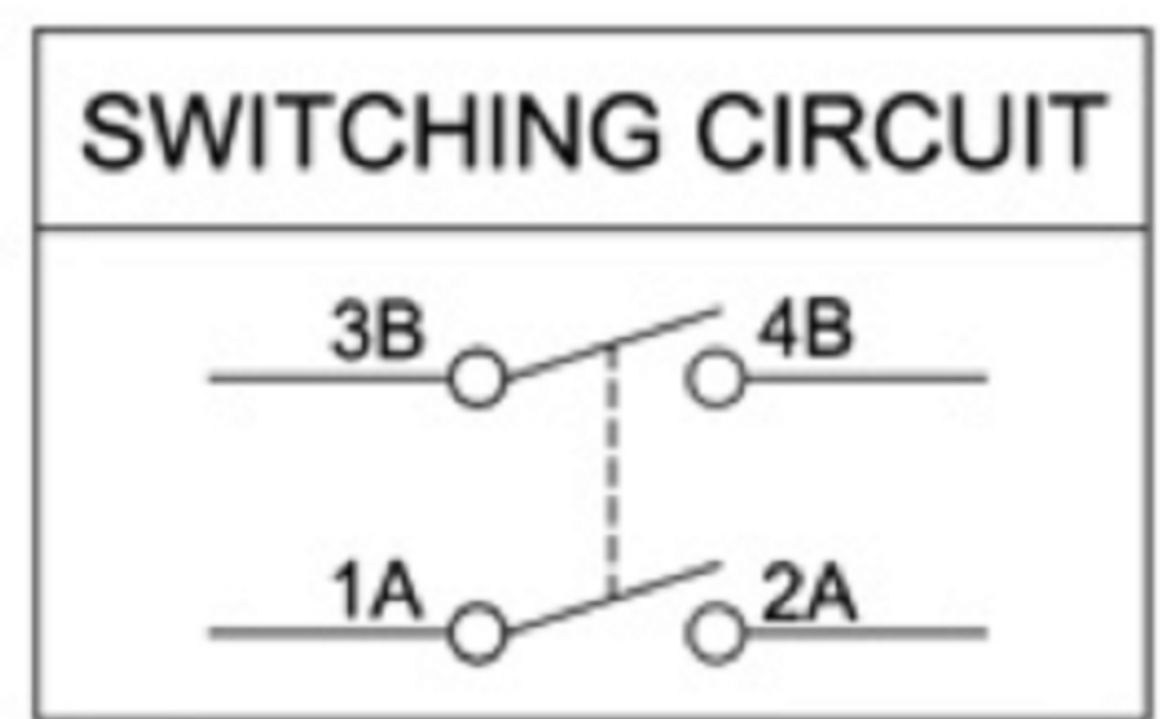


**Rating: 16A 125V AC (UL CUL)**  
**16A 250V AC (ENEC CQC CB)**  
**Contact Resistance: 50m Ω Max**  
**Insulation Resistance: DC 500V 100M Ω Min.**  
**Dielectric Strength: AC1500V 1 minute**  
**Operating Force: 500± 200gf**  
**Total Travel: 4.0± 0.5mm**  
**Mechanical Life: Over 30,000 cycles**  
**Electrical Life: Over 10,000 cycles**  
**Operating Temperature: -30°C ~ +85°C**  
**Safety Approval: cULus CQC 05 KEMA**  
**Function: OFF-(ON)**



	X
0.75 ~ 1.25	19.2
1.25 ~ 2.00	19.4
2.00 ~ 3.00	19.6




**广东科斯达电子科技有限公司**  
**GUANG DONG KE SI DA ELECTRONIC TECHNOLOGY CO., LTD.**

TOLERANCE UNLESS OTHERWISE STATED: Up to 5 ±0.2, Above 5 ~ 15 ±0.3, Above 15 ~ 30 ±0.4, Above 30 ~ 50 ±0.5, Angle ±0.3  
 3RD. ANGEL'S  
 UNITS: MM

DRAWN BY:	DATE	MAT'L	TITLE	SWITCH
Jack Lu	12/27/22			
CHECKED BY:	DATE	FINISH	MODLE	TACT SWITCH WITH LED
Jacky Chen	12/27/22			
APPROVED BY:	DATE	SCALE	DWG NO.	
Tony Kao	12/27/22	1 : 1		
		SHEET NO.	PART NO.	
		1 of 1		

ITEM NO.	DESCRIPTION	DRAWN	DATE

SIZE	A4
VER	R