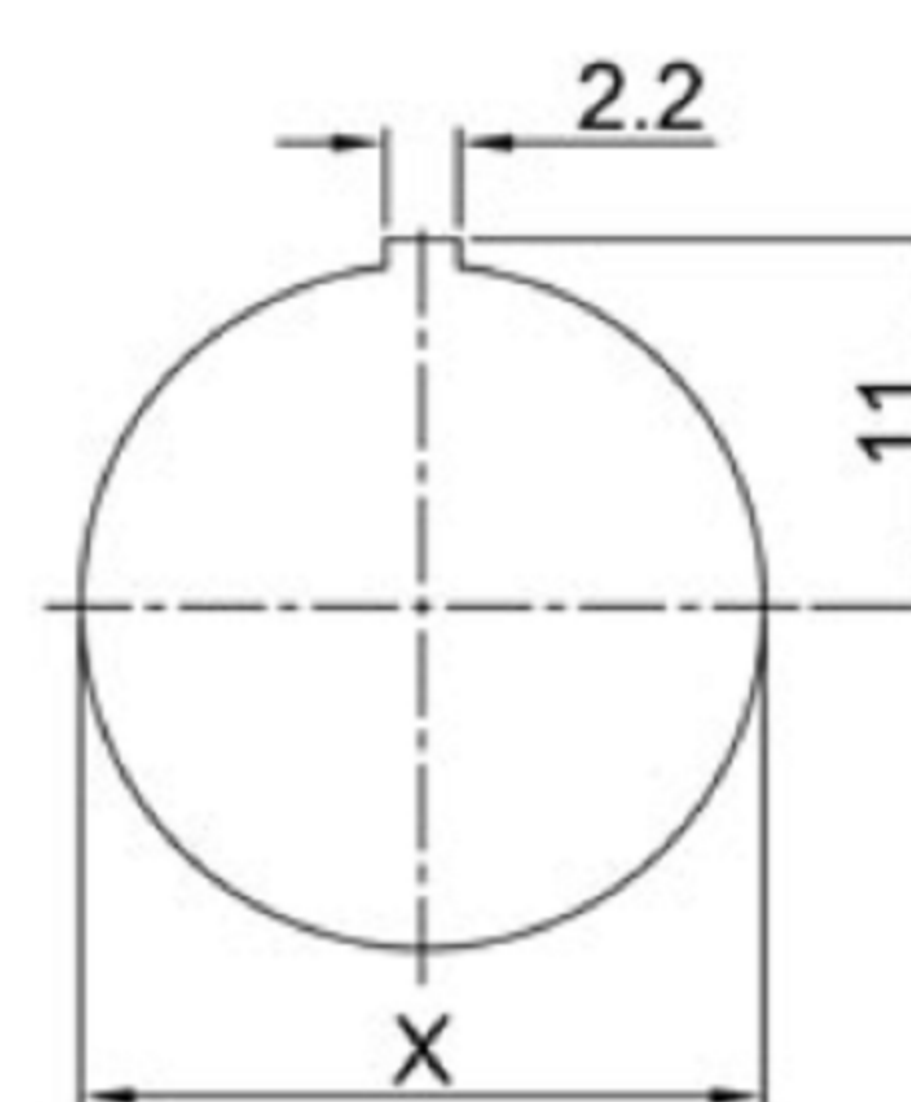
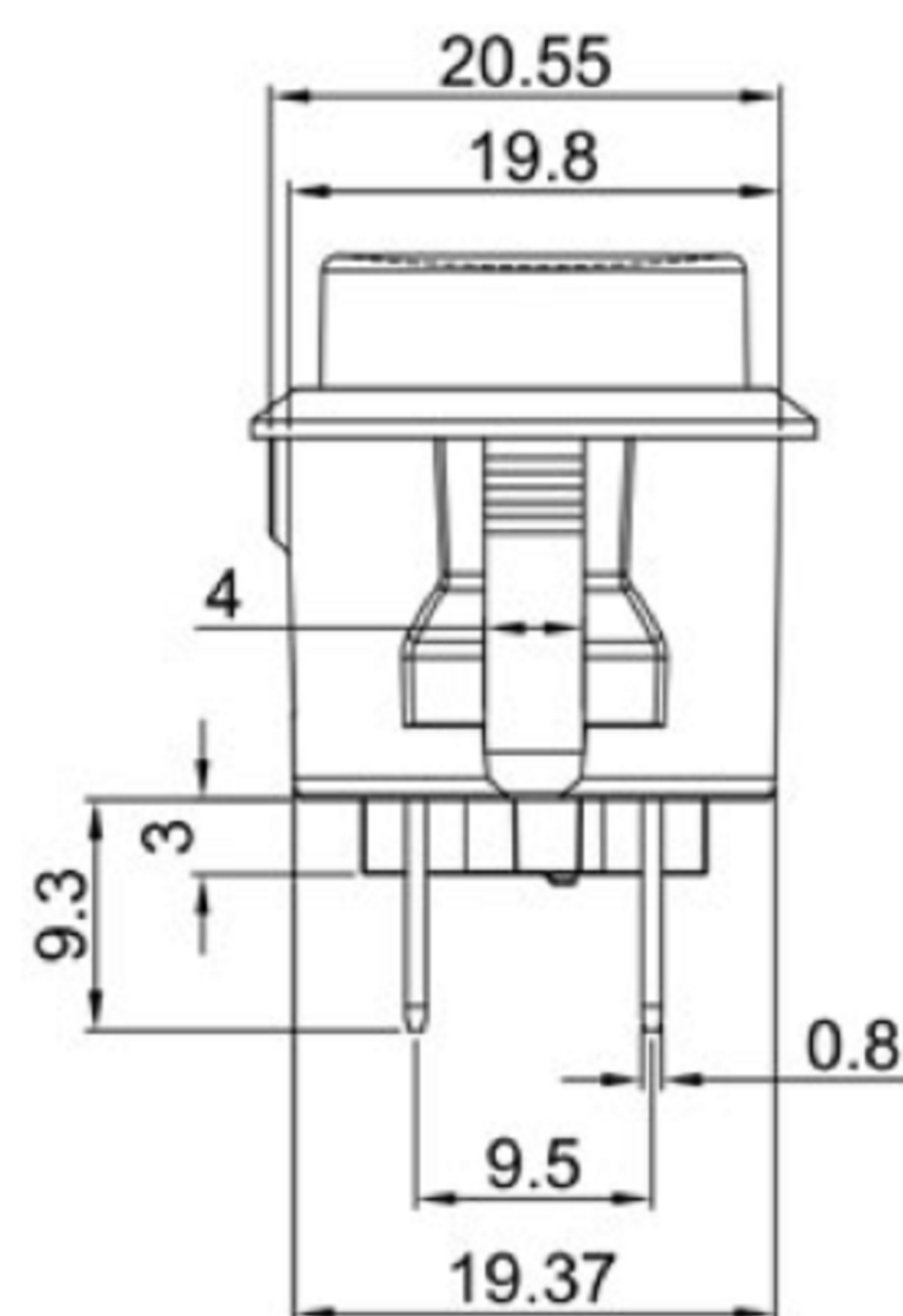
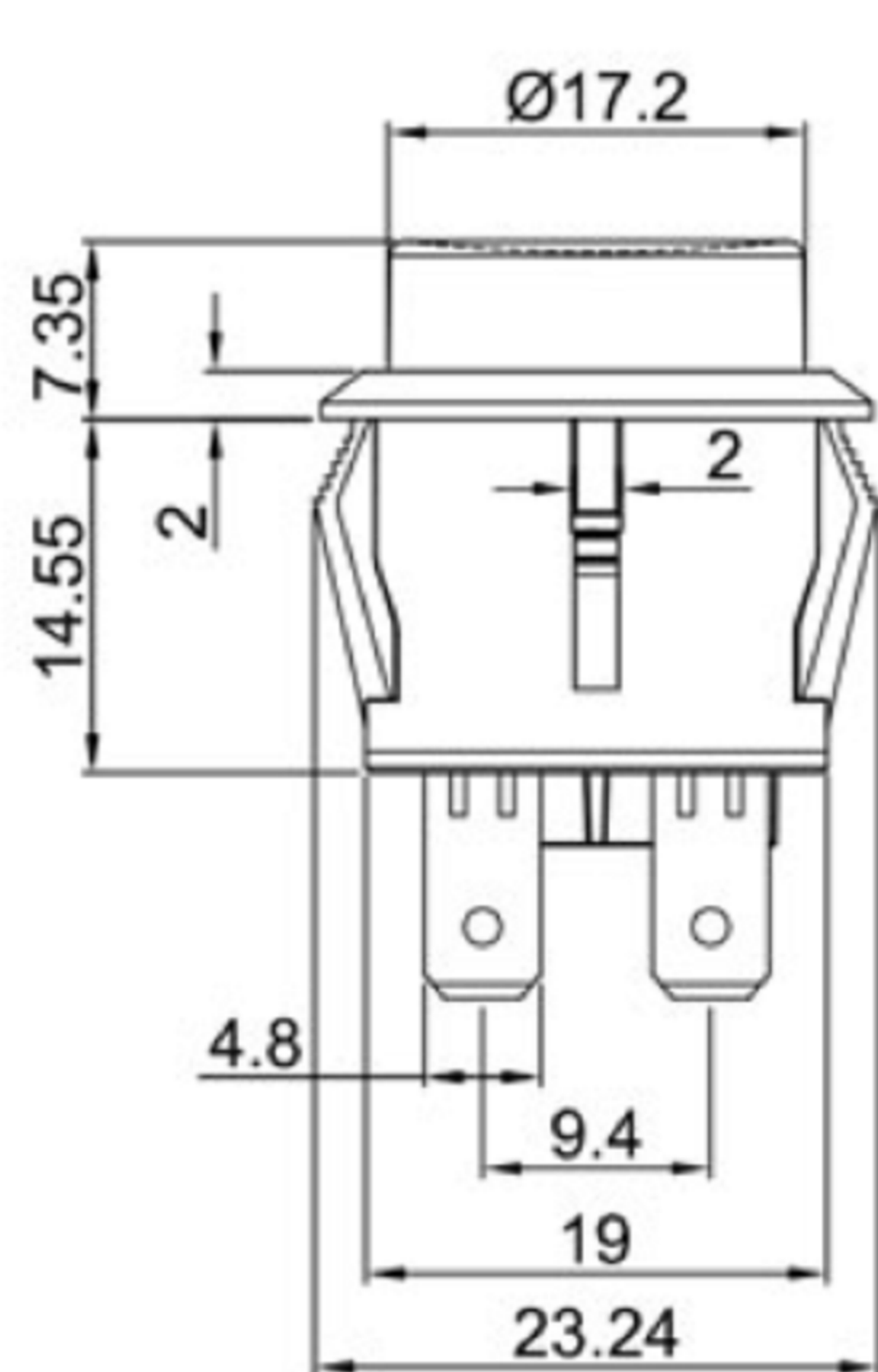
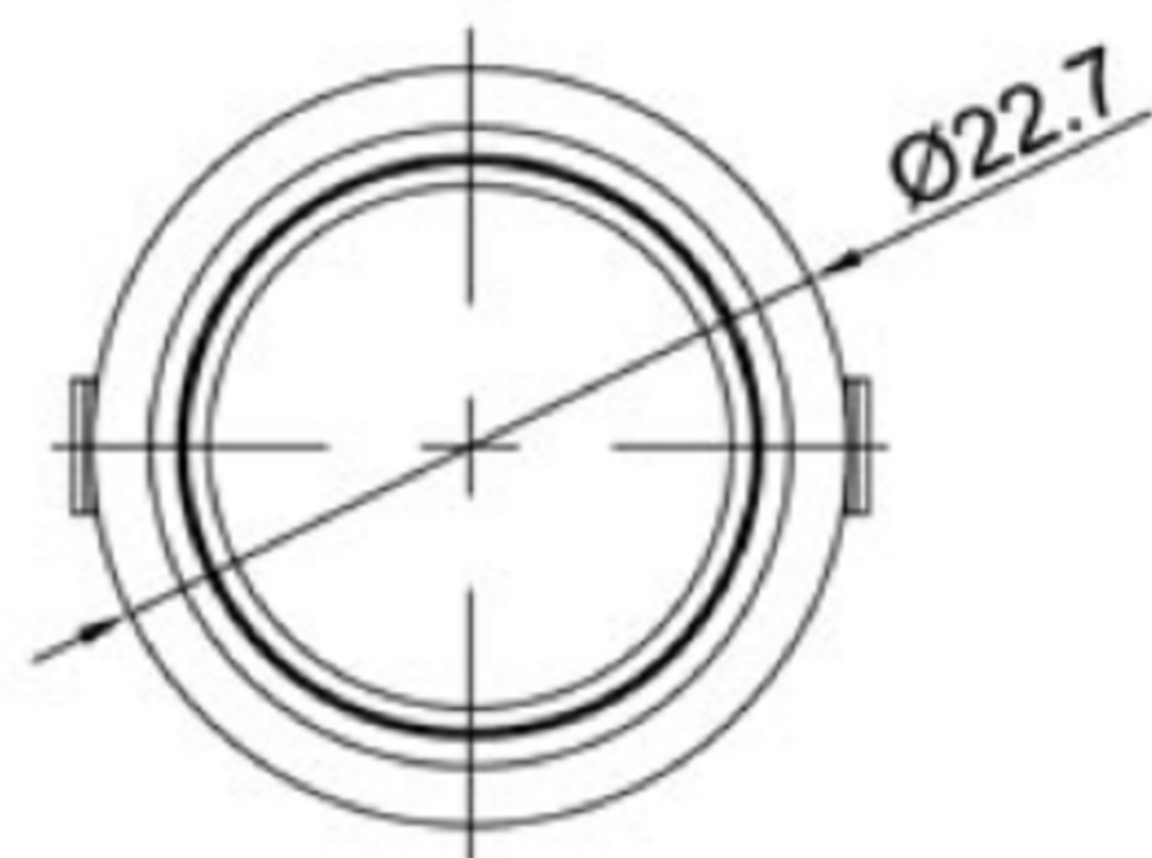




Rating: 16A 125V AC (UL CUL)  
16A 250V AC (ENEC CQC CB)

Contact Resistance: 50mΩ Max  
Insulation Resistance: DC 500V 100MΩ Mi  
Dielectric Strength: AC1500V 1 minute  
Operating Force: 500±300gf  
Mechanical Life: Over 30,000 cycles  
Electrical Life: Over 10,000 cycles  
Operating Temperature: -30°C ~ +85°C  
Safety Approval: cULus CQC 05 KEMA



CUT-OUT

	X
0.75~1.25	20.2
1.25~2.00	20.4
2.00~3.00	20.6

SWITCHING CIRCUIT



 **广东科斯达电子科技有限公司**  
GUANG DONG KE SI DA ELECTRONIC TECHNOLOGY CO., LTD.

TOLERANCE UNLESS OTHERWISE STATED: Up to 5 ±0.2, Above 5 ~ 15 ±0.3, Above 15 ~ 30 ±0.4, Above 30 ~ 50 ±0.5, Angle ±0.3  
3RD. ANGEL'S  
UNITS MM

DRAWN BY:	DATE	MAT'L	TITLE	SWITCH
Jack Lu	12/27/22		MODLE	TACT SWITCH WITH LED
CHECKED BY:	DATE	FINISH	DWG NO.	SIZE
Jacky Chen	12/27/22		PART NO.	A4
APPROVED BY:	DATE	SCALE	1 : 1	VER
Tony Kao	12/27/22	SHEET NO.	1 of 1	R