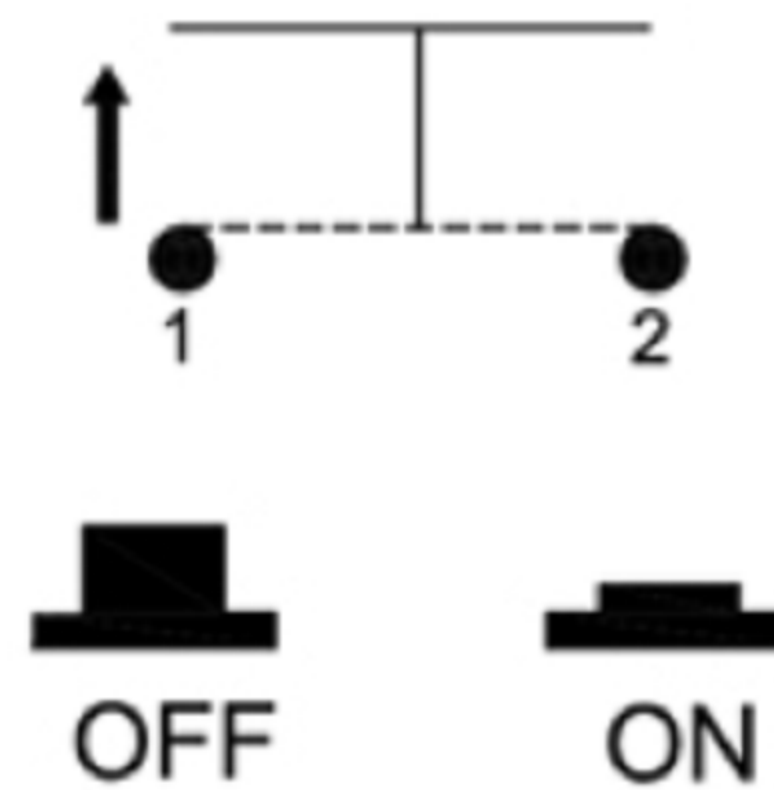
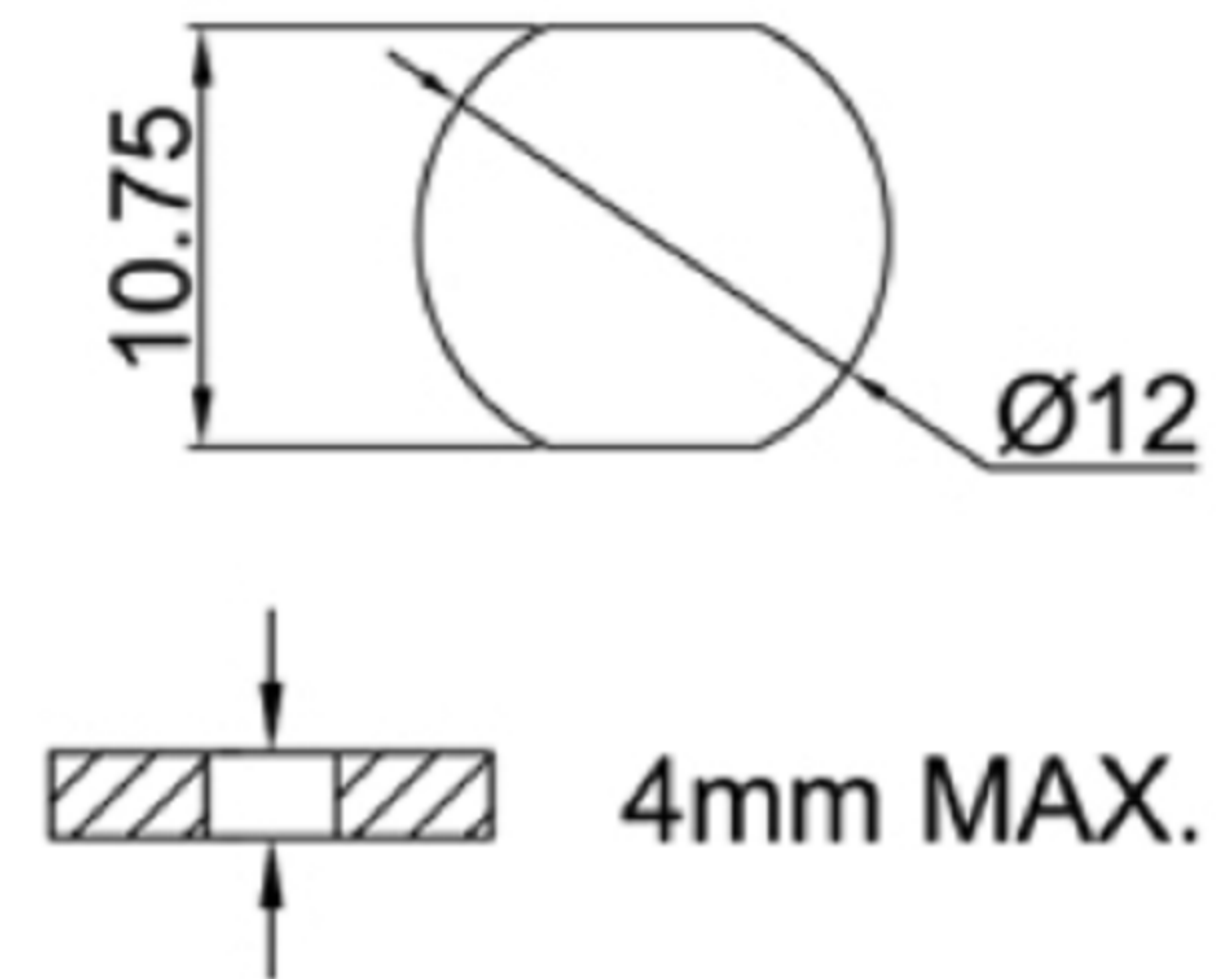


**FUNCTION**



**PANEL MOUNTING**



 **广东科斯达电子科技有限公司**  
GUANG DONG KE SI DA ELECTRONIC TECHNOLOGY CO., LTD.

TOLERANCE UNLESS OTHERWISE STATED:  
 Up to 5 ±0.2  
 Above 5 ~ 15 ±0.3  
 Above 15 ~ 30 ±0.4  
 Above 30 ~ 50 ±0.5  
 Angle ±0.3

3RD. ANGEL'S

UNITS MM

|              |          |           |          |                      |
|--------------|----------|-----------|----------|----------------------|
| DRAWN BY:    | DATE     | MAT'L     | TITLE    | SWITCH               |
| Jack Lu      | 12/27/22 |           |          |                      |
| CHECKED BY:  | DATE     | FINISH    | MODLE    | TACT SWITCH WITH LED |
| Jacky Chen   | 12/27/22 |           |          |                      |
| APPROVED BY: | DATE     | SCALE     | DWG NO.  |                      |
| Tony Kao     | 12/27/22 | 1 : 1     |          |                      |
|              |          | SHEET NO. | PART NO. |                      |
|              |          | 1 of 1    |          |                      |

|          |             |       |      |
|----------|-------------|-------|------|
| ITEM NO. | DESCRIPTION | DRAWN | DATE |
|          |             |       |      |