



Rating: 16A 125V AC (UL CUL)  
 16A 250V AC (ENEC CQC CB)

Contact Resistance: 50mΩ Max  
 Insulation Resistance: DC 500V 100MΩ Min.

Dielectric Strength: AC1500V 1 minute

Operating Force: 500± 300gf

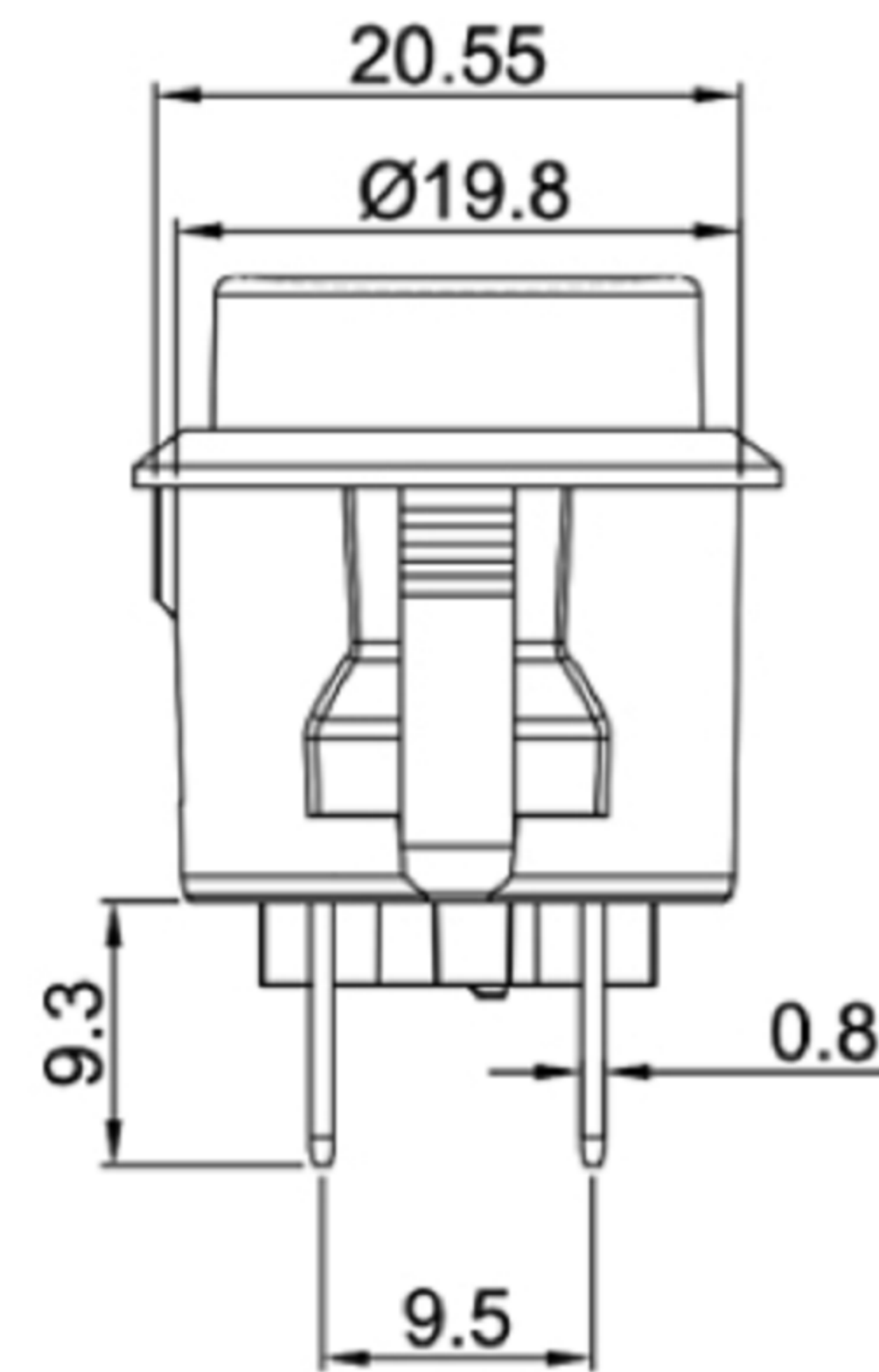
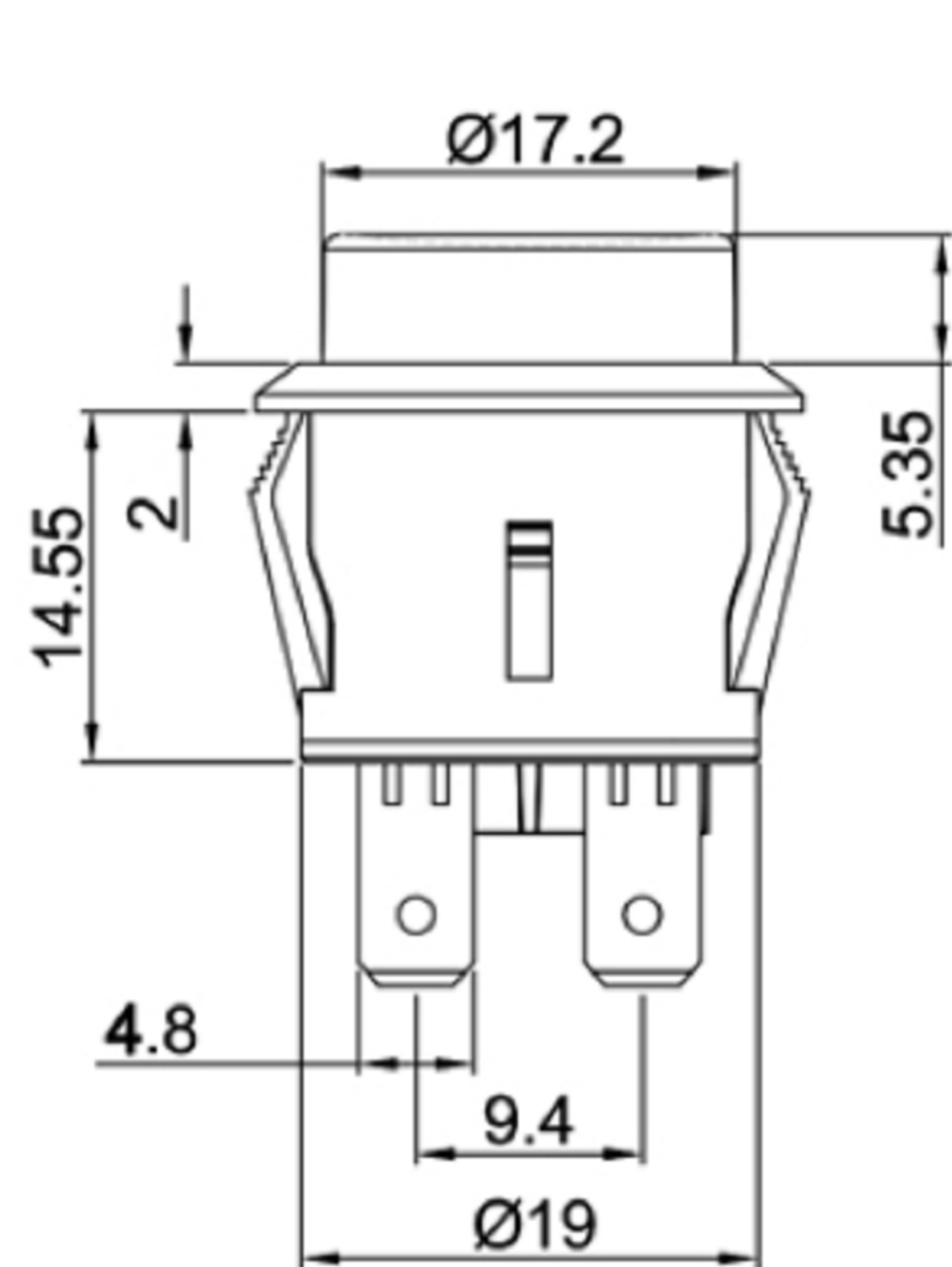
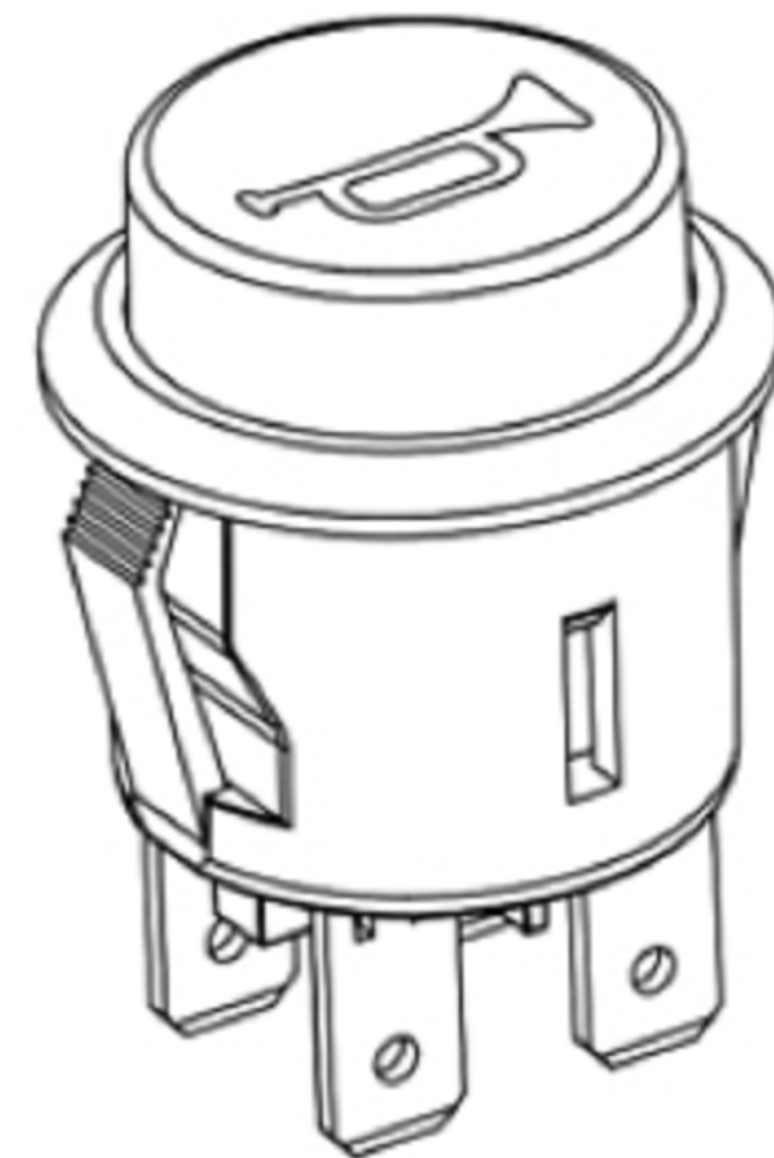
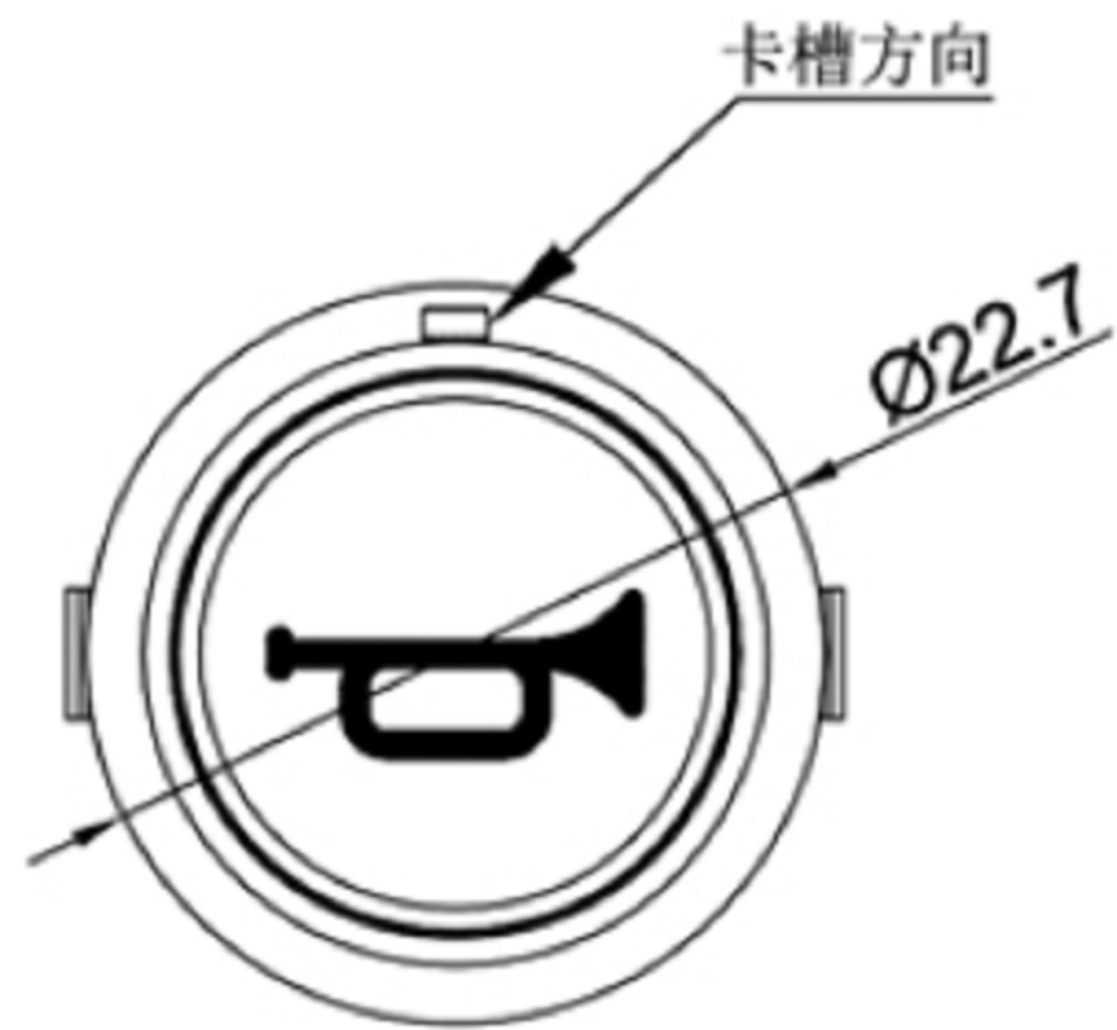
Mechanical Life: Over 30,000 cycles

Electrical Life: Over 10,000 cycles

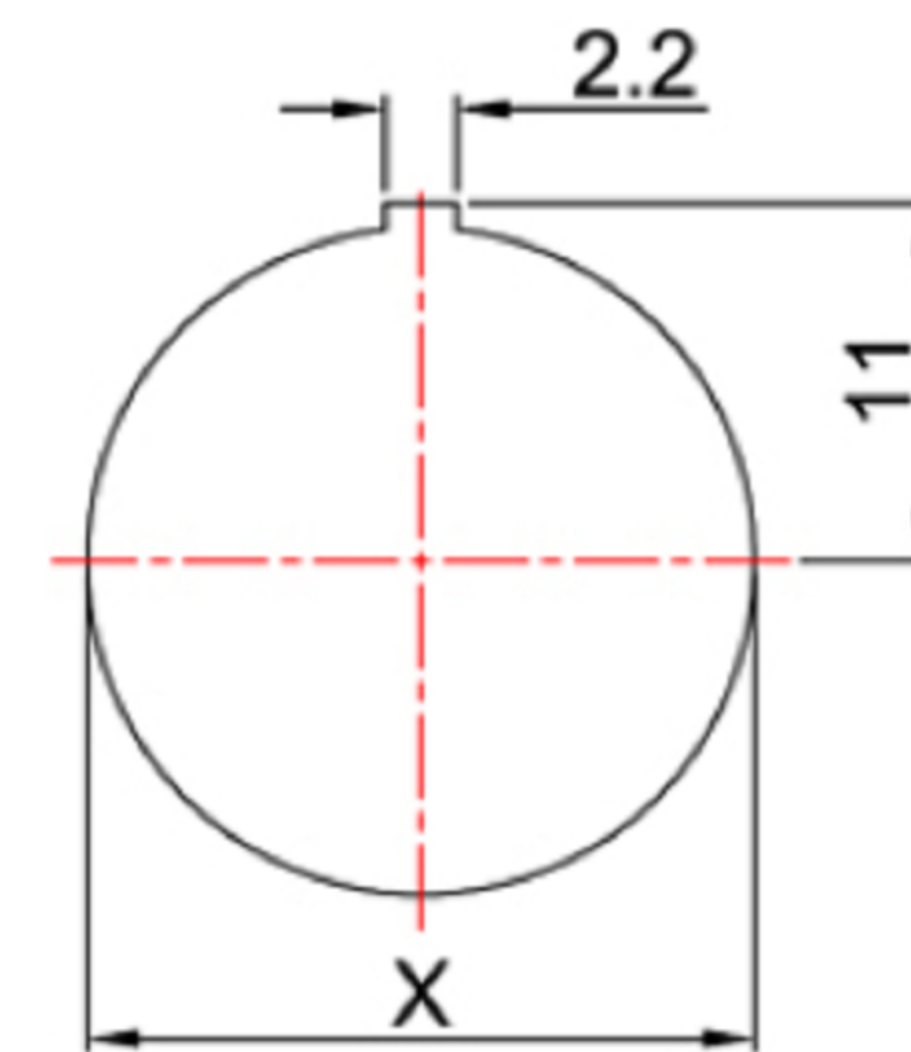
Operating Temperature: -30°C ~ +85°C

Safety Approval:

Function: Momentary

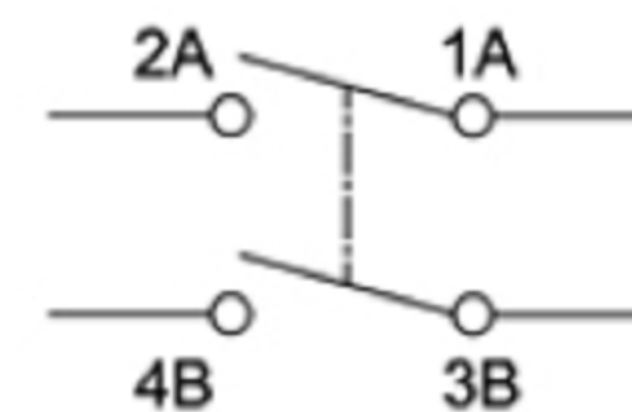


CUT-OUT



	X
0.75~1.25	20.2
1.25~2.00	20.4
2.00~3.00	20.6

SWITCHING CIRCUIT



广东科斯达电子科技有限公司  
 GUANG DONG KE SI DA ELECTRONIC TECHNOLOGY CO., LTD.

TOLERANCE UNLESS OTHERWISE STATED: Up to 5 ±0.2, Above 5 ~ 15 ±0.3, Above 15 ~ 30 ±0.4, Above 30 ~ 50 ±0.5, Angle ±0.3  
 3RD. ANGEL'S UNITS MM

DRAWN BY: Jack Lu, DATE: 12/27/22  
 CHECKED BY: Jacky Chen, DATE: 12/27/22  
 APPROVED BY: Tony Kao, DATE: 12/27/22

MAT'L		TITLE	SWITCH
FINISH		MODLE	TACT SWITCH WITH LED
SCALE	1 : 1	DWG NO.	
SHEET NO.	1 of 1	PART NO.	
		SIZE	A4
		VER	R

ITEM NO.	DESCRIPTION	DRAWN	DATE