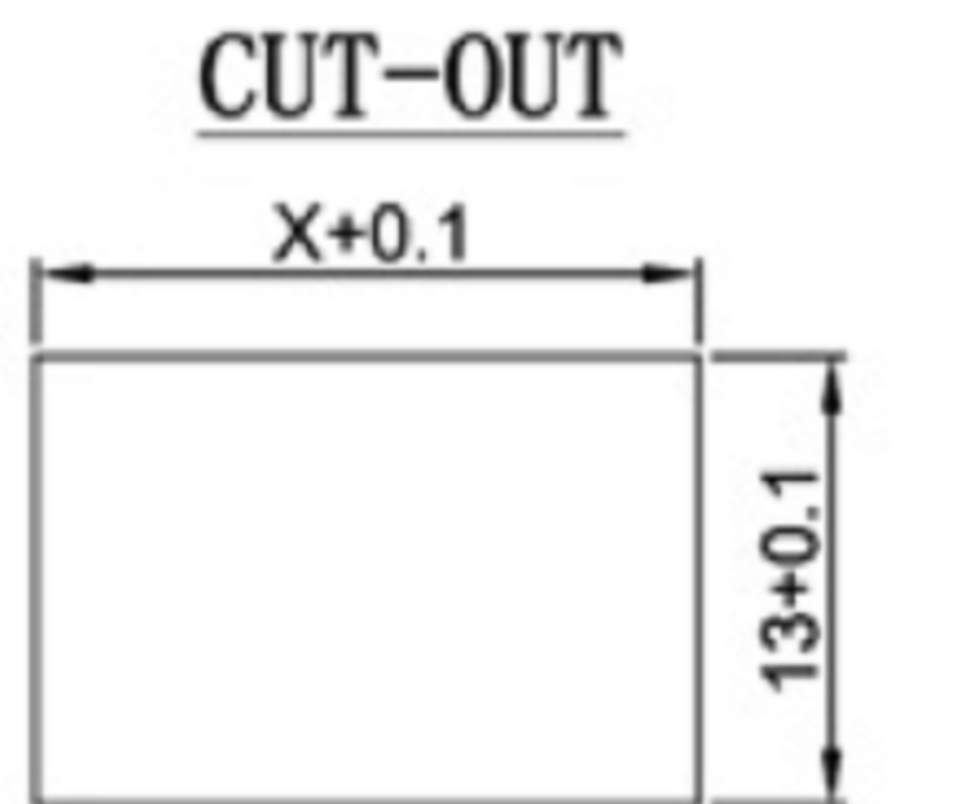
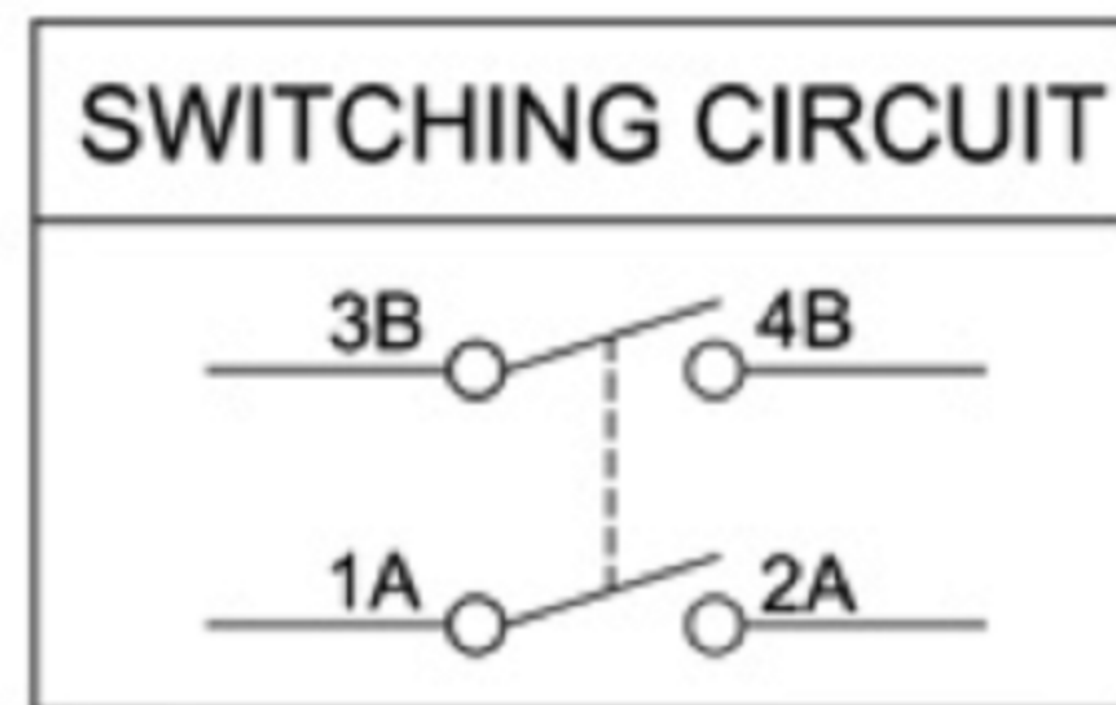


Rating: 16A 125V AC (UL CUL)  
 16A 250V AC (ENEC CQC CB)  
 Contact Resistance: 50mΩ Max  
 Insulation Resistance: DC 500V 100MΩ Min.  
 Dielectric Strength: AC1500V 1 minute  
 Operating Force: 500±200gf  
 Total Travel: 4.0±0.5mm  
 Mechanical Life: Over 30,000 cycles  
 Electrical Life: Over 10,000 cycles  
 Operating Temperature: -30°C~+85°C  
 Safety Approval:



|             | X    |
|-------------|------|
| 0.75 ~ 1.25 | 19.2 |
| 1.25 ~ 2.00 | 19.4 |
| 2.00 ~ 3.00 | 19.6 |



| ITEM NO. | DESCRIPTION | DRAWN | DATE |
|----------|-------------|-------|------|
|          |             |       |      |

**广东科斯达电子科技有限公司**  
 GUANG DONG KE SI DA ELECTRONIC TECHNOLOGY CO., LTD.

TOLERANCE UNLESS OTHERWISE STATED:
 

|               |       |
|---------------|-------|
| Up to 5       | ±0.2  |
| Above 5 ~ 15  | ±0.3  |
| Above 15 ~ 30 | ±0.4  |
| Above 30 ~ 50 | ±0.5  |
| Angle         | ±0.3° |

 3RD. ANGEL'S UNITS MM

|              |          |           |          |                      |
|--------------|----------|-----------|----------|----------------------|
| DRAWN BY:    | DATE     | MAT'L     | TITLE    | SWITCH               |
| Jack Lu      | 12/27/22 | FINISH    | MODLE    | TACT SWITCH WITH LED |
| CHECKED BY:  | DATE     | SCALE     | DWG NO.  | SIZE                 |
| Jacky Chen   | 12/27/22 | 1 : 1     | PART NO. | A4                   |
| APPROVED BY: | DATE     | SHEET NO. | 1 of 1   | VER                  |
| Tony Kao     | 12/27/22 | 1 of 1    |          | R                    |