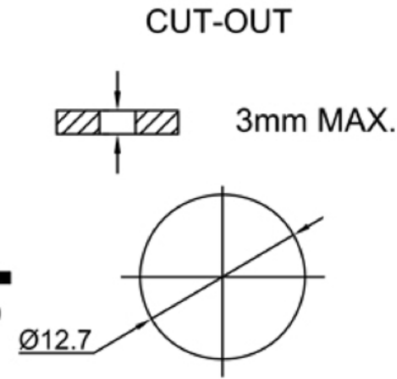
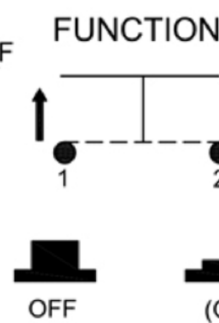
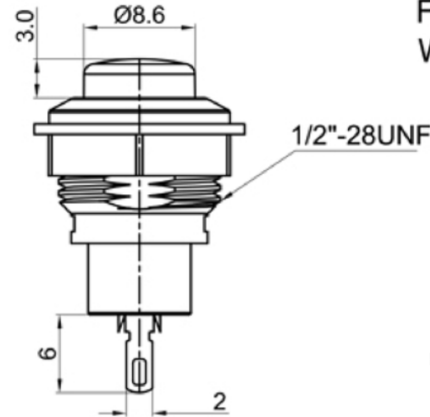
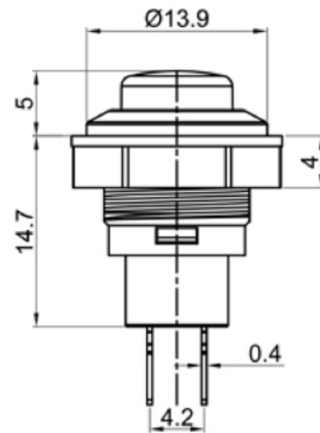
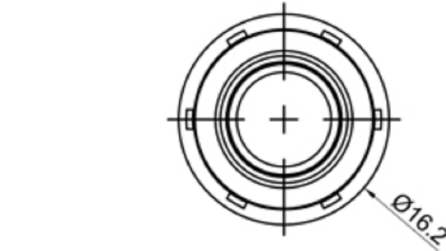




Rating: 3A 125V AC
 1.5A 250V AC
 Contact Resistance: 20mΩ Max
 Insulation Resistance: DC 500V 100MΩ Min
 Dielectric Strength: AC 1000V 1minute
 Operating Force: 250±50g
 Travel: 2.0±0.4mm
 Mechanical Life: Over 30,000 cycles
 Electrical Life: Over 10,000 cycles
 Operating Temperature: -20°C ~ +85°C
 Soldering Temperature: 256°C for 5 Seconds
 Function: OFF-(ON)
 Welding method: Manual Soldering (350° C ± 5° C, 3s ± 0.5s)



W	白色
B	黑色
G	绿色
Y	黄色
R	红色
上盖颜色 X	
Cap color X	

广东科斯达电子科技有限公司
 GUANG DONG KE SI DA ELECTRONIC TECHNOLOGY CO., LTD.

TOLERANCE UNLESS OTHERWISE STATED:
 Up to 5 ±0.2
 Above 5 - 15 ±0.3
 Above 15 - 30 ±0.4
 Above 30 - 50 ±0.5
 Angle ±0.3

3RD. ANGEL'S



UNITS

MM

DRAWN BY: Jack Lu
 CHECKED BY: Jacky Chen
 APPROVED BY: Tony Kao
 DATE: 12/27/22

MAT'L
 FINISH
 SCALE: 1 : 1
 SHEET NO.: 1 of 1

TITLE: SWITCH
 MODLE: TACT SWITCH WITH LED
 DWG NO.
 PART NO.

SIZE: A4
 VER: R

ITEM NO.	DESCRIPTION	DRAWN	DATE