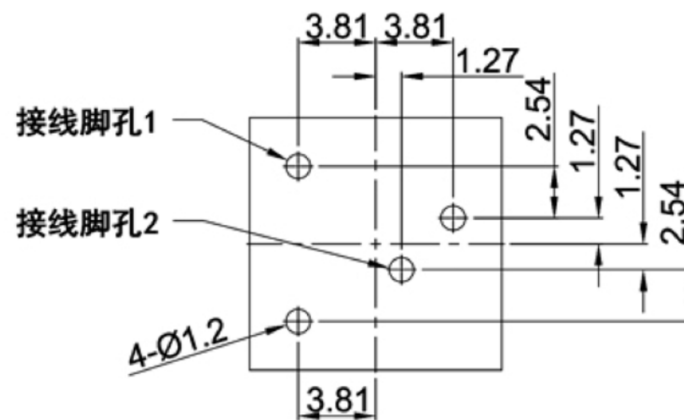


Circuit Diagram



P. C. B. LAYOUT



 **广东科斯达电子科技有限公司**
GUANG DONG KE SI DA ELECTRONIC TECHNOLOGY CO., LTD.

TOLERANCE UNLESS OTHERWISE STATED:
 Up to 5 ±0.2
 Above 5 ~ 15 ±0.3
 Above 15 ~ 30 ±0.4
 Above 30 ~ 50 ±0.5
 Angle ±0.3

3RD. ANGEL'S



UNITS

MM

DRAWN BY:	DATE
Jack Lu	12/27/22
CHECKED BY:	DATE
Jacky Chen	12/27/22
APPROVED BY:	DATE
Tony Kao	12/27/22

MATL	TITLE	SWITCH
FINISH	MODLE	TACT SWITCH WITH LED
SCALE	DWG NO.	
SHEET NO.	PART NO.	
1 of 1		

SIZE
A4
VER
R

ITEM NO.	DESCRIPTION	DRAWN	DATE