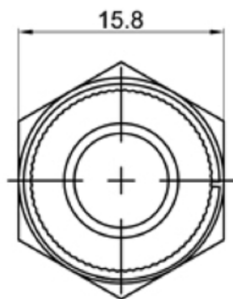
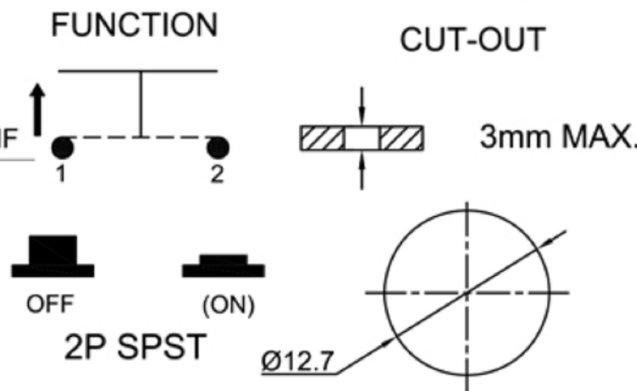
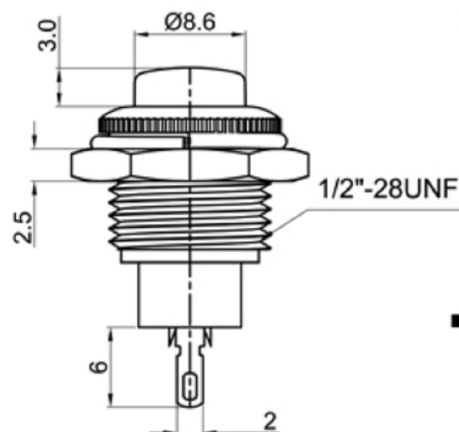
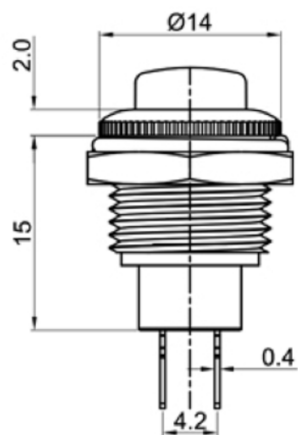




PB01



Rating: 3A 125V AC
 1.5A 250V AC
 Contact Resistance: 20mΩ Max
 Insulation Resistance: DC 500V 100MΩ Min
 Dielectric Strength: AC 1000V 1minute
 Operating Force: 250±50g
 Travel: 2.0±0.4mm
 Mechanical Life: Over 30,000 cycles
 Electrical Life: Over 10,000 cycles
 Operating Temperature: -20°C ~ +85°C
 Soldering Temperature: 256°C for 5 Seconds
 Function: OFF-(ON)
 Welding method: Manual Soldering (350°C±5°C, 3s±0.5s)



W	白色
B	黑色
G	绿色
Y	黄色
R	红色
上盖颜色 X	
Cap color X	

广东科斯达电子科技有限公司
 GUANG DONG KE SI DA ELECTRONIC TECHNOLOGY CO., LTD.

TOLERANCE UNLESS OTHERWISE STATED:
 Up to 5 ±0.2
 Above 5 - 15 ±0.3
 Above 15 - 30 ±0.4
 Above 30 - 50 ±0.5
 Angle ±0.3



UNITS MM

DRAWN BY:	DATE	MAT'L	TITLE	SWITCH
Jack Lu	12/27/22			
CHECKED BY:	DATE	FINISH	MODLE	TACT SWITCH WITH LED
Jacky Chen	12/27/22			
APPROVED BY:	DATE	SCALE	DWG NO.	
Tony Kao	12/27/22	1 : 1		
		SHEET NO.	PART NO.	
		1 of 1		

SIZE	A4
VER	R

ITEM NO.	DESCRIPTION	DRAWN	DATE